



Technical Specification

External Cladding

PrimeLine® Weatherboard

HardiePlank® Weatherboard

PanelClad® Sheet

HardieFlex™ Sheet

EXTERIORS

Australia May 2019

Make sure your information is up to date.

When specifying or installing James Hardie™ products, ensure that you have the current technical information and guides. If in doubt, or you need more information, visit www.jameshardie.com.au or Ask James Hardie™ on 13 11 03.

CONTENTS

| | | |
|-----------|---|-----------|
| 1 | INTRODUCTION | 2 |
| 1.1 | Application | 2 |
| 1.2 | Material selection | 2 |
| 2 | FRAMING, FIXING AND INSTALLATION | 3 |
| 2.1 | Framing | 3 |
| 2.2 | Fixing | 3 |
| 2.3 | Installation | 5 |
| 3 | SHEET CLADDING | 6 |
| 3.1 | General | 6 |
| 3.2 | Bracing | 6 |
| 3.3 | Fixing | 6 |
| 3.4 | Installation | 7 |
| 3.5 | Jointing and corners | 7 |
| 4 | PRIMELINE® WEATHERBOARD | 8 |
| 4.1 | General | 8 |
| 4.2 | Heritage and Chamfer profiles | 8 |
| 4.3 | Summit and Newport profiles | 9 |
| 5 | HARDIEPLANK™ WEATHERBOARD | 10 |
| 5.1 | General | 10 |
| 5.2 | Bracing | 10 |
| 5.3 | Fixing | 10 |
| 5.4 | Installation | 11 |
| 5.5 | Jointing | 11 |
| 6 | SAFE WORKING PRACTICES | 12 |
| | Warning | 12 |
| | Recommended safe working practices | 12 |
| | Working instructions | 12 |
| | Hole-forming | 13 |
| | Storage and handling | 13 |
| | Quality | 13 |
| 7 | PRODUCT INFORMATION | 13 |
| 7.1 | General | 13 |
| 7.2 | Product mass | 13 |
| 7.3 | Durability | 13 |
| 7.4 | Alpine regions | 13 |
| 8 | COMPONENTS | 14 |
| 8.1 | Sheet cladding | 14 |
| 8.2 | PrimeLine weatherboard | 16 |
| 8.3 | HardiePlank weatherboard | 18 |
| 9 | DETAILS | 21 |
| 9.1 | General | 21 |
| 9.2 | HardiePlank weatherboard and PrimeLine weatherboard details | 21 |
| 10 | WARRANTY | 32 |

1 INTRODUCTION

1.1 APPLICATION

The good looking, versatile sheets, weatherboards and planks made in Australia by James Hardie are ideally suited to the local conditions that shape our homes, towns and cities.

With their inherent design flexibility, James Hardie® fibre cement products contribute to inspirational new homes, renovations and commercial buildings. The simple lines of individual products can enhance classic, period or contemporary designs. Whatever the style, using James Hardie fibre cement products will ensure it needs little maintenance, over a long life.

James Hardie fibre cement building materials are resistant to rotting, fire, or permanent water and termite damage, when installed and maintained in accordance with James Hardie's published installation instructions.

They are also easy to work with, durable and low maintenance. These qualities make them the ideal choice for homeowners and renovators as well as professional builders, designers and architects.

The specifier or other party responsible for the project must ensure the details in this specification are appropriate for the intended application and additional detailing is performed for specific design or any areas that fall outside the scope and specifications of this manual.

1.2 MATERIAL SELECTION

1.2.1 General

The comprehensive range of materials available to clad houses, and the way in which these options can be combined and joined, gives designers and builders a wide choice of low maintenance solutions to suit virtually any requirement. Products are manufactured in two main forms: sheets and weatherboards or planks. These products come in various thicknesses and, in the case of weatherboards and planks, widths and profiles.

Applications include all forms of external cladding to suit all types of construction including ground level and upper storey extensions, gable ends and feature walls.

1.2.2 HardieFlex™ sheet

HardieFlex sheets have square edges and come in two thicknesses, 4.5mm and 6mm, and in a variety of lengths that can be easily trimmed to length on site.

HardieFlex sheets are normally jointed with a PVC straight joint mould and finished at corners with surface mounted PVC corner moulds.

1.2.3 PanelClad® sheet

PanelClad sheets are available in two styles, Stucco, replicating a hand trowelled, cement render finish, and TextureLine, with the appearance of a rough hewn board and batten finish. Both types of sheets are normally 6mm thick and are jointed with a PVC mould, both can be finished at corners with surface mounted PVC corner moulds.

1.2.4 PrimeLine® weatherboard

PrimeLine weatherboards are available in four milled profiles that are 9mm thick and finished with a high quality prime coat that saves the painter time on site.

2 FRAMING, FIXING AND INSTALLATION

The Heritage profile is a double width board that allows faster wall coverage. The Heritage and Chamfer profiles have rebated edges that create a shadow line effect.

The other PrimeLine profiles have concealed fixed using the concealed HardieLock™ fixing system. The Summit profile features a slender beaded edge and strong lap line, and the narrower Newport profile gives a neat, smooth appearance. The PVC HardieLock™ spline that runs along the back of the Summit and Newport profiles fits neatly over the lower board and locks the board securely into position.

Nails are needed at each stud at the top of each Summit or Newport weatherboard. The bottom of the next positioned board conceals the nails of the previous board. This allows for faster installation with either on stud or off-stud jointing. For fastener requirements in a bracing application, refer to the Structural bracing Design Manual.

Easy to use aluminium snap-on corners and variable corner accessories are available to give a neat, attractive finish.

1.2.5 HardiePlank™ weatherboard

HardiePlank weatherboard is available in four 7.5mm thick profiles. Woodgrain is available in two widths, 230 and 300mm and has a traditional woodgrain finish; Smooth is available in the same widths, with a smooth finish and straight, modern lines.

Both Rusticated and Old Style are available in a 205mm width. Rusticated is pre-primed, with a subtle timber grain and rebated edges to create shadow lines. Old Style has a smooth surface and rebated edges.

1.2.6 HardieTex™ system

HardieTex system is the foundation for a lightweight cladding system that is finished with texture coating to give the appearance of rendered and painted masonry. It also minimises foundation and construction costs. Refer to the separate James Hardie HardieTex system technical specification.

1.2.7 Successful installation

The correct design of the supporting framework and correct selection and fixing of the sheet, weatherboard or plank cladding material, will contribute to the overall success of all James Hardie external cladding systems described in this manual.

This manual contains separate sections covering the various types of cladding suitable for both single and multi storey houses.

1.2.8 Finishes

PrimeLine weatherboards, HardiePlank Rusticated and HardiePlank Rough Cut* come pre-primed and can be readily installed for faster on site finishing. To ensure the durability of James Hardie external cladding products, the exterior surface must be finished with a suitable paint or texture system in accordance with the coating manufacturer's written recommendations for fibre cement substrates.

Stains containing linseed oil are specifically designed for wood and may not be suitable for fibre cement cladding products, primed or unprimed. Semi-transparent stains can vary in uniformity of appearance depending on method of application and conditions and will require a high level of skill and craftsmanship to achieve a uniform appearance. Clear coats have not proven durable in exterior exposure and James Hardie considers them a maintenance item that may require application of a refurbishing sealer at regular intervals. James Hardie does not warrant the appearance or durability of semi-transparent stains and clear coats.

* WA supply only

2.1 FRAMING

2.1.1 General

Sheets, weatherboards and planks can be fixed to either timber or light gauge domestic type steel framing. The framing used must comply with the relevant building regulations and standards and the requirements of this manual.

Frames must be straight and true to provide a flush face to receive the sheathing. A suggested maximum tolerance of between 3mm and 4mm in any 3000mm length of frame will give best results. Sheets, weatherboards and planks will not straighten excessively warped or distorted frames and any warping may still be visible after the external cladding is applied.

2.1.2 Timber

'Timber used for house construction must have the level of durability appropriate for the relevant climate and expected service life and conditions including exposure to insect attacks or to moisture, which could cause decay.'

Reference AS1684.2 'Residential Timber Framed Construction'.

Use only seasoned timber. Unseasoned timber must not be used as it is prone to shrinkage and can cause sheets, weatherboards, planks and frames to move.

NOTE

Refer to separate products for minimum framing widths.

2.1.3 Steel

The base metal thickness of a steel frame must be between 0.55 and 1.6mm (BMT).

NOTE

Refer to separate products for minimum framing widths.

2.1.4 Thermal Break

For steel frames, the National Construction Code (NCC) sections J1.5 and 3.12.1 volumes 1 and 2 respectively, state for both residential and commercial buildings a thermal break with an R 0.2m² K/W must be installed behind external cladding where the cladding and internal lining make direct contact with the same steel frame. James Hardie® recommends the HardieBreak™ thermal strip. Refer to the HardieBreak™ thermal strip installation guide for more information.

2.2 FIXING

2.2.1 General

Select the fastener suitable for the required framing from the appropriate product section depending on the type of framing, either timber or metal. (Refer to Sections 3, 4 or 5.)

NOTE

At least Class 3 external grade finish fasteners must be used for all external applications.

2.2.2 Fastener durability

Fasteners must have the appropriate level of durability required for the intended project. This is particularly important in coastal areas located within 1km of the shoreline or large expanses of salt water, areas subject to salt spray and other corrosive environments.

Fasteners must be fully compatible with all other materials that they are in contact with to ensure the durability and integrity of the assembly.

Contact fastener manufacturers for more information.

2.2.3 Adhesives

Adhesives must not be used to attach sheets, weatherboards or planks to the frame.

NOTE

Fasteners must not be overdriven as this can reduce the holding capacity of the cladding. If the nailing depth cannot be controlled adequately when gun nailing, under-drive fasteners then tap flush with a hammer. Refer to Figure 1.

When gun nailing, refer to Table 1.

TABLE 1

| RECOMMENDED GUN NAILING | | | | |
|-------------------------|---|------------------|---|--|
| COIL NAILER | | NAILS | | |
| Manufacturer | Name | Manufacturer | Name | Size |
| Hitachi | VH650 coil nailer | Otter | Galv. coil nail | 38mm x 2.5mm dia. (6mm HardieFlex only) 45mm x 2.2mm dia. 50mm x 2.2mm dia. |
| Paslode | Impulse compact nailer (B20544) | Paslode | Impulse DekFast* 50mm Value Pack (B20561V) | 50mm x 2.87mm dia. |
| | | | Impulse DekFast* 50mm Handy Pack (B20557) | 50mm x 2.87mm dia. |
| Duo-Fast | KD665A coil nailer (Part No. D40040) | Duo-Fast | C27/32 GD coil nail (D41800) | 32mm x 2.7mm dia. (6mm HardieFlex only) |
| Stanley-Bostitch | N80C coil nailer | Stanley-Bostitch | AC45P250 gal coil nail | 45mm x 2.5mm dia. |
| Senco | SCN-60 coil nailer (fitted with adjustable depth of drive) | Senco | BTN 45 ADB Weatherex gal and Sencoted | 45mm x 2.5mm dia. |

* This nail will also fit the Bostitch N80C coil nailer.

NOTES

- Fasteners with equivalent dimensions, (ie head size and shape, shank diameter and length to those above) are acceptable for use.
- All fasteners are to be galvanised or suitably coated for intended external application.
- Nailing guns must be fitted with flush drive attachments.
- Some nailing guns incorporate an adjustable head set to control nail depth (eg Duo-Fast coil nailer and Senco coil nailer).
- When gun nailing, apply pressure to the face of the cladding by holding the cladding against the stud to reduce blow out at back of the cladding.

Nail gun manufacturers have supplied the information contained in this table. Should a nail gun model or nail shown in the table not be available, please contact the relevant nail gun manufacturer for advice.

If the nail gun overdrives sheets, contact nail gun manufacturer for advice.

2.2.4 Steel

Fasteners should be screwed as close as possible to the stud corners to avoid deflection of the stud flange. Refer to Figure 2.

2.2.5 Screw gun specification

Use variable speed screw guns with high torque, a maximum speed of 2500rpm, fitted with a depth control attachment.

Set the depth control attachment to avoid overdriving. As the screw thread begins to pull into the steel frame, drop the revs back to bed the head flush with the surface of the sheet.

2.3 INSTALLATION

2.3.1 Moisture management

2.3.1.1 General

It is the responsibility of the builders and designers to identify moisture related risks associated with any particular building design.

It is the responsibility of the builder to ensure appropriate moisture management is provided during framed wall construction through effective use of flashings, sealants and vapour permeable membranes such as vapour permeable sarking, building wraps, vapour retarders and damp-proof course. Before installing cladding, all wall openings, penetrations, intersections, connections, window sills, heads and jambs must incorporate appropriate flashing and waterproofing.

Materials, components and their installation that are used to manage moisture in framed wall construction must, at a minimum, comply with the requirements of relevant standards, building codes and the manufacturer's specifications.

2.3.1.2 Flashing

Where sheets, weatherboards or planks are finished against horizontal flashings, ensure the underside of the external cladding is a minimum of 50mm clear of the horizontal leg of the flashing. Ensure the fibre cement cladding will not sit in ponding water and the flashing is installed in an acceptable method to prevent water running up behind the sheeting to ingress into framing. Refer to Figure 3.

2.3.1.3 Weather Barrier

Weather barrier

A suitable water control membrane must be installed under James Hardie™ cladding in accordance with the AS/NZS 4200.2 'Pliable building membranes and underlays – Installation' and NCC requirements.

James Hardie has tested and certified the use of HardieWrap™ weather barrier for climate zones 2-8 within Australia. HardieWrap™ weather barrier is a Class 4 vapour permeable membrane that delivers a triple-shield of protection to help against external weather penetration, internal condensation management and external heat penetration through its safe-glare reflective layer.

If using an alternate product in lieu of HardieWrap™ weather barrier or the project is located in a hot humid area (Climate Zone 1), the designer must ensure that the product is fit for purpose and it has the following classification in accordance with AS/NZS 4200.1:2017 'Pliable building membranes and underlays – Materials':

| WEATHER BARRIER CLASSIFICATION | | |
|--------------------------------|---------------|---------------------------------|
| CLIMATE ZONES | WATER BARRIER | VAPOUR PERMEANCE |
| 2-8 | High | Vapour permeable (Class 3 or 4) |
| 1 | | Vapour Barrier (Class 1 or 2) |

Soft compressible insulation installed between the front of the wall studs and directly behind the external cladding can cause installation issues and is thus not recommended.

2.3.2 Sealant jointing

Sealant jointing can be used to joint sheets, weatherboards and planks.

When filling joints with sealant, cut the nozzle of the cartridge to suit the specified gap between the sheets, weatherboards and planks. Mask the edges with easily removable masking tape. Then apply the sealant in an upward motion, pushing the sealant into the gap to fill it. Carry this operation out slowly to ensure the sealant completely fills the gap and bonds to the edges of the cladding. Run a spatula over the joint, carefully wiping away the excess sealant. Carefully remove the masking tape immediately after you complete the sealant application.

NOTE

Do not use a mix of sealant types to fill joints. Use of James Hardie polyurethane joint sealant is recommended.

2.3.3 Painting

Contact paint manufacturers for specific advice on paint systems that are compatible with the fibre cement claddings outlined in this manual.

James Hardie external cladding must be painted within 90 days of installation.

James Hardie does not recommend tiling in an external application.

NOTE

When painting PVC accessories, ensure the paint has a Light Reflective Value (LRV) greater than 40%. Refer to the texture coat manufacturer for the paint's LRV.

2.3.4 Ground clearances

Install James Hardie external cladding with a minimum 150mm clearance to the earth on the exterior of the building as shown in Figure 4 or in accordance with local building codes if greater than 150mm is required. Maintain a minimum 50mm clearance between James Hardie external cladding and roofs, decks, paths, steps and driveways.

Adjacent finished grade must slope away from the building in accordance with local building codes, typically a minimum slope of 50mm minimum over the first metre.

Do not install external cladding such that it may remain in contact with standing water.

NOTE

Greater clearance may be required in order to comply with termite protection provisions, see Clause 2.3.5.

2.3.5 Termite protection

The National Construction Code (NCC) specifies the requirements for termite barriers and must be complied with. Where the exposed slab edge is used as part of the termite barrier system, a minimum of 75mm of the exposed slab edge must be visible to permit ready detection of termite entry.

3 SHEET CLADDING

3.1 GENERAL

For general information on framing, fixing and installation refer to Section 2.

To determine which accessories are required, refer to Section 8.

For flashing, sarking and rising damp requirements refer to Clause 2.3.

Unless otherwise noted, details in this section apply to both HardieFlex sheets and PanelClad sheets.

Fix sheets to studs and top and bottom plates with nails or screws.

3.2 BRACING

HardieFlex and PanelClad sheets can also be used as structural bracing. Refer to the James Hardie Bracing Manual or for further information Ask James Hardie™ on 13 11 03.

NOTE

4.5mm thick HardieFlex sheets must not be used as bracing.

3.3 FIXING

3.3.1 General

The minimum width of studs at HardieFlex and PanelClad sheet joints must be 42mm for timber and 38mm for steel.

Where a stud is less than the required minimum width under a joint, sufficient landing must be provided by planting an additional stud or continuous packer to the side of the stud affected.

Where sheets are not used as sheet bracing, locate fasteners at centres given in Table 2, around the perimeter, and on the intermediate stud.

Fasteners must not be less than 12mm from sheet edges and 50mm from corners. Refer to Figure 5.

3.3.2 Timber

When hand nailing - use 2.8 x 30mm fibre cement nails for fixing 4.5mm and 6mm thick HardieFlex and PanelClad sheets.

3.3.3 Steel

For steel framing thickness of 0.5mm – 1.6mm BMT – use 41mm HardieDrive™ screws.

NOTE

Self embedding head screws must not be used in 4.5mm thick sheets.

TABLE 2

| MAXIMUM STUD AND FASTENER SPACING FOR HARDIEFLEX™ AND PANELCLAD™ SHEETS FOR WIND CATEGORIES | | | | | | | | |
|---|--|-----|-----|-----|-----|-----|-----|-----|
| TO AS4055-1992 | | | | | | | | |
| | non-cyclonic | N1 | N2 | N3 | | N4 | N5 | N6 |
| | cyclonic | | | | C1 | C2 | C3 | C4 |
| 6mm HARDIEFLEX AND PANELCLAD SHEETS | | | | | | | | |
| max. studs spacing | within 1200mm of building edge | 600 | 600 | 600 | 450 | 450 | 300 | 300 |
| | intermediate | 600 | 600 | 600 | 450 | 450 | 450 | 300 |
| max. fasteners spacing | within 1200mm of building edge: intermediate | 300 | 200 | 200 | 200 | 150 | 150 | 100 |
| | within 1200mm of building edge: sheet edges | 200 | 200 | 200 | 200 | 150 | 150 | 100 |
| | elsewhere intermediate | 300 | 300 | 200 | 200 | 200 | 200 | 200 |
| | elsewhere sheet edges | 200 | 200 | 200 | 200 | 200 | 200 | 200 |
| 4.5mm HARDIEFLEX SHEET | | | | | | | | |
| max. studs spacing | within 1200mm of building edge | 450 | 450 | 450 | 300 | 300 | N/A | N/A |
| | elsewhere | 450 | 450 | 450 | 450 | 300 | N/A | N/A |
| max. fasteners spacing | within 1200mm of building edge: intermediate | 300 | 200 | 200 | 200 | 150 | N/A | N/A |
| | within 1200mm of building edge: sheet edges | 200 | 200 | 200 | 200 | 150 | N/A | N/A |
| | elsewhere intermediate | 300 | 300 | 200 | 200 | 200 | N/A | N/A |
| | elsewhere sheet edges | 200 | 200 | 200 | 200 | 200 | N/A | N/A |

3.4 INSTALLATION

For framing and general fixing layout refer to Figure 5.

We recommend you fix from the centre of the sheet and work outwards to ensure sheets are hard against the frame. This avoids drumminess.

NOTE

When installing PanelClad Stucco sheets, ensure sheets are installed so the render pattern faces upwards.

3.5 JOINTING AND CORNERS

3.5.1 General

A number of options are available for jointing sheets and corners.

3.5.2 Vertical joints

For vertical joints, a timber batten can be planted over the abutting panels. Refer to Figure 6.

Alternatively, use a PVC straight jointer for HardieFlex sheets and PanelClad Stucco sheets. Refer to Figure 7. Fix PVC straightener to frame at 200mm maximum centres.

Refer to Clause 2.3.2 for more information on sealant jointing.

When joining PanelClad TextureLine sheets, use the special TextureLine PVC straight joint. Refer to Figure 8.

3.5.3 Horizontal joints

For horizontal joints, use a PVC drip strip for 4.5mm thick HardieFlex sheets. Refer to Figure 9.

Alternatively, for 6mm thick sheets use a PVC flashing mould. Refer to Figure 10. Fix pre flashing mould to frame at 200mm maximum centres.

Horizontal moulds must be supported by noggings and fixed at 200mm centres.

PanelClad TextureLine sheets are not recommended to be installed on top of each other without using a durable horizontal batten over the two sheets eg Scyon™ Axent™ trim. The batten must be allowed to float over the joint and must be attached to the top sheet only. Ensure no moisture can enter behind the batten from the top, for more information contact Ask James Hardie™ on 13 11 03.

3.5.4 Corners

Timber battens can be used. For finishing internal or external corners refer to Figure 11 and Figure 12.

Alternatively, PVC corners can be used to form internal or external corners. Refer to Figure 13 and Figure 14.

A further option for either internal or external corners is to use a James Hardie™ 75x75mm Colorbond® Corner Flashing. This accessory should be fixed through alternative opposite legs at 200 centres. Refer to Figure 15.

4 PRIMELINE WEATHERBOARDS

4.1 GENERAL

For general information on framing, fixing and installation refer to Section 2. For details see Section 9.

To determine which accessories are required, refer to Section 8.

For flashing, sarking and rising damp requirements refer to Clause 2.3.

Fasten internal and external corner accessories to the frame before starter strips and planks are installed. If using the two piece snap on corner, ensure corner studs are straight prior to installation.

NOTE

1. If using snap on corner, do not fit pieces together until all cladding is installed and final attachment to wall is required. For further information on snap on corners, refer to Clause 9.2.1.
2. When a starter strip and lead flashing is used, run sarking over lead flashing between flashing and starter strip. Cut sarking just below starter strip.

4.2 HERITAGE AND CHAMFER PROFILE

4.2.1 General

These profiles sit flat against the framing, eliminating the traditional displacement of the bottom of the weatherboards by the top of the previously fixed weatherboard.

4.2.2 Bracing

PrimeLine Heritage and Chamfer weatherboards can be used in bracing applications. Refer to the Structural bracing Design Manual.

4.2.3 Fixing

4.2.3.1 General

Where cladding is not used as bracing, locate studs at centres given in Table 3, then fasten to each stud. Fasteners must not be less than 20mm from weatherboard edges and must be pre-drilled.

For nail spacings and lap, refer to Figure 16.

NOTE

For N4/C2, N5/C3 or N6/C4 wind categories, two rows of fixings are required. Refer to Figure 17 for location of rows of fixings.

4.2.3.2 Timber

When hand nailing - use 2.8 x 40mm fibre cement nails for fixing PrimeLine Heritage and Chamfer weatherboards.

4.2.3.3 Steel

For steel framing thickness of 0.5mm – 1.6mm BMT – use 41mm HardieDrive™ screws.

4.2.4 Installation

Install PrimeLine Heritage and Chamfer weatherboards as follows:

Step 1

Using a spirit or water level, establish the lowest point of the cladding around the perimeter. Then use a level string or flick line across the face of the studs to establish a level that coincides with the top of the first Heritage and Chamfer weatherboard bottom row from this lowest point.

Step 2

Fix the top of the first (bottom) row against the string line, with one weatherboard end flush with an external corner accessory. Fasten the profile with one row of fixings. Refer to Figure 16.

Step 3

If using on-stud joining of PrimeLine Heritage and Chamfer weatherboards, refer to Clause 4.3.4.2. If using off stud joining of PrimeLine Heritage and Chamfer weatherboards, fit Unclip accessory to the free end of the first weatherboard and continue fitting bottom row using Unclips at joints between lengths of weatherboards. Refer to Clause 4.3.4.3.

Step 4

After completing the first row, install the next row and subsequent rows, sitting the bottom recess over the top of the previous row. This will help provide the required overlap of 18mm.

4.2.5 Jointing

4.2.5.1 General

On-stud jointing can give a tidier result than off-stud jointing. In addition, since the joint is fully supported by the backing stud, the joint is more resistant to impact loading and the board ends to displacement. The sealant joint filler will also be more resistant to cracking and failure.

To maximise the strength, integrity and good looks of a wall, butt joints between weatherboards in an area of wall must be staggered over two or more stud lines (ie do not locate joints in the same vertical line).

TABLE 3

| MAXIMUM SPACING FOR PRIMELINE® HERITAGE AND CHAMFER WEATHERBOARDS FOR WIND CATEGORIES | | | | | | | | |
|---|--------------------------------|-----|-----|-----|-----|-----|-----|-----|
| TO AS4055-1992 | | | | | | | | |
| | non-cyclonic | N1 | N2 | N3 | | N4 | N5 | N6 |
| | cyclonic | | | | C1 | C2 | C3 | C4 |
| PRIMELINE WEATHERBOARDS HERITAGE AND CHAMFER | | | | | | | | |
| max. studs spacing | within 1200mm of building edge | 600 | 600 | 600 | 450 | 450 | 300 | 300 |
| | elsewhere | 600 | 600 | 600 | 450 | 450 | 450 | 450 |

4.2.5.2 On stud jointing

Step 1

Primeline Heritage and Chamfer should be joined on a 45mm min. single stud or a double 35mm stud.

Ensure the ends of weatherboards are square and smooth. Use factory cut ends where possible.

Step 2

Pack out stud with timber off cut for fixing end of plank.

Step 3

Pre-drill holes 20mm from end of weatherboards.

Step 4

Fix weatherboards leaving a 3mm gap ready to receive sealant. Refer to Clause 2.3.1.5 for sealant jointing details. Alternatively, butt them together without sealant.

4.2.5.3 Off-stud jointing (with Uniclip)

NOTE

Off-stud jointing of PrimeLine Heritage and Chamfer weatherboards using Uniclips is not recommended in coastal areas (refer to Clause 2.2.2 for definition of coastal areas). As this accessory may corrode in these areas, only join the PrimeLine Heritage and Chamfer weatherboards profile on-stud.

For concealed off-stud jointing of weatherboards in non-coastal areas, Uniclips are recommended. Install Uniclips as follows:

Step 1: Ends of weatherboards must be cut square and smooth. Use factory cut ends where possible.

Step 2: Slip the Unclip over the end of the weatherboard, ensuring it fits hard up against the weatherboard end. Refer to Figure 18. Then nail weatherboard to studs.

Step 3: Fasten the next weatherboard in position, ensuring the lower edges of the abutting weatherboards are aligned and the end of the weatherboard is hard up against the stop in the Unclip. A 3mm gap must be formed using the stops for later sealing with sealant.

Step 4: Sealing

Fill the joint with sealant. Refer to Clause 2.3.2 Sealant jointing.

4.3 SUMMIT AND NEWPORT PROFILES

4.3.1 General

These profiles use the concealed HardieLock™ fixing system that secures the bottom of the overlapping weatherboard over the top of the previously installed board, doing away with the need for a visible penetrating fastener.

4.3.2 Bracing

PrimeLine Summit and Newport weatherboards cannot be used for bracing applications.

4.3.3 Fixing

4.3.3.1 General

Where cladding is not used as bracing, locate studs at centres given in Table 4 then fasten to each stud. Fasteners must not be less than 20mm from weatherboard edges and must be pre-drilled.

4.3.3.2 Timber

When hand nailing - use 2.8 x 40mm fibre cement nails for fixing PrimeLine Summit and Newport weatherboards.

4.3.3.3 Steel

For steel framing thickness of 0.5mm – 1.6mm BMT – use 41mm HardieDrive™ screws.

4.3.4 Installation

Install PrimeLine Summit and Newport weatherboards as follows:

Step 1

The lowest board for each wall is to be installed first. Use a spirit or water level to establish a level line around the frame, with the lower edge of the first (bottom) board approximately 13/21mm below the floor bearer depending on the profile selected. Refer to Figure 21.

Step 2

Pack this first board out with a James Hardie starter strip. Refer to Figure 21. The starter strip is fastened to blocking between the bearers at 600mm centres. Alternatively, use a shaped 9mm thick primed timber starter strip ready to accept and correctly position the first HardieLock™ spline.

Step 3

Fit the board in position and fasten it to each stud. For fastener locations refer to Figure 19 for Summit profile and Figure 20 for Newport profile.

Step 4

Use the spline on each board in subsequent rows to position and align each board with the board below. The spline will provide the correct lap.

Check the top level of the boards every fourth board to ensure they are correctly levelled and spaced.

Do not apply excess downward pressure to fit the spline.

TABLE 4

MAXIMUM STUD SPACING FOR PRIMELINE® SUMMIT AND NEWPORT WEATHERBOARDS FOR WIND CATEGORIES

| Profiles | non-cyclonic | N1 | N2 | N3 | | N4 | N5 | N6 |
|-------------------------------------|--------------------------------|-----|-----|-----|-----|-----|-----|-----|
| | cyclonic | | | | C1 | C2 | C3 | C4 |
| PRIMELINE SUMMIT AND NEWPORT | | | | | | | | |
| | within 1200mm of building edge | 600 | 600 | 600 | 450 | 450 | 300 | 300 |
| | general wall areas | 600 | 600 | 600 | 450 | 450 | 450 | 450 |

5 HARDIEPLANK WEATHERBOARD

4.3.5 Jointing

4.3.5.1 General

On-stud jointing can give a tidier result than off-stud jointing. In addition, since the joint is fully supported by the backing stud, the joint is more resistant to impact loading and the board ends to displacement. The sealant joint filler will also be more resistant to cracking and failure.

To maximise the strength, integrity and good looks of a wall, butt joints between weatherboards in an area of wall should be staggered over two or more stud lines (ie do not locate joints in the same vertical line).

4.3.5.2 On-stud jointing

Step 1: Primeline Summit and Newport should be joined on a 45mm single stud or a double 35mm stud. Ensure ends of weatherboards are square and smooth. Use factory cut ends where possible.

Step 2: Pack out stud with timber off cut for fixing end of weatherboard.

Step 3: Pre-drill holes 20mm from the end of weatherboards.

Step 4: Slide the spline so that it fits into the back of the adjoining board by approximately 100mm.

Step 5: Fix weatherboards to studs leaving a 3mm gap ready if sealant is to be used. Refer to Clause 2.3.2 for sealant jointing details. Alternatively, butt them together without sealant.

4.3.5.3 Off-stud jointing

For concealed off-stud jointing of PrimeLine Summit and Newport install as follows:

Step 1: Cut the weatherboards so the joint occurs at any point between studs. Use factory cut ends where possible.

Step 2: Follow Step 4 and 5 of on-stud jointing.

The HardieLock splines will provide sufficient support locking the top and bottom of the weatherboards, eliminating the need for any additional support framing. Refer to Figure 22.

5.1 GENERAL

For general information on framing, fixing and installation refer to Section 2. For details see Section 9.

To determine which accessories are required, refer to Section 8.

For flashing, sarking and rising damp requirements refer to Clause 2.3.

Fasten internal and external corner accessories to the frame before foot mould and planks are installed.

NOTE

If using snap on corner, do not fit pieces together until all cladding is installed and final attachment to wall is required. For further information on snap on corners refer to Clause 9.2.1.

5.2 BRACING

HardiePlank weatherboard can also be used as structural bracing. Refer to the Structural bracing Design Manual or, for further information, Ask James Hardie™ on 13 11 03.

5.3 FIXING

5.3.1 General

Where cladding is not used as bracing, locate studs at centres given in Table 5, then fasten HardiePlank weatherboard to each stud.

Fasteners must not be less than 20mm in from plank ends and must be pre-drilled.

For nail spacings and lap for HardiePlank weatherboard profiles, refer to Figure 23.

5.3.2 Timber

When hand nailing - use 2.8 x 40mm fibre cement nails for fixing HardiePlank Smooth, Woodgrain, Rusticated and Old Style weatherboard.

5.3.3 Steel

For steel framing thickness of 0.5mm – 1.6mm BMT – use 41mm HardieDrive™ screws.

For metal framing, screw fix above the lap through the top plank only. Refer to Figure 24.

Alternatively, HardiePlank galv stud clips can be used on metal framing. Stud clips are positioned along the top of the planks then fixed directly through the top leg of the clip with external grade #10 - 1.6x16mm hex head, drill point screws, automatically setting the lap at 25mm. Refer to Figure 25.

NOTE

HardiePlank galv stud clips are not recommended in coastal areas (refer to Clause 2.2.2 for definition of coastal areas). This accessory may corrode in these areas.

NOTE

For wind load categories C2, C3 and C4, stud clips must not be used.

TABLE 5

| MAXIMUM STUD SPACING FOR HARDIEPLANK® WEATHERBOARD FOR WIND CATEGORIES | | | | | | | | |
|--|--------------------------------|-----|-----|-----|-----|-----|-----|-----|
| TO AS4055-1992 | | | | | | | | |
| | non-cyclonic | N1 | N2 | N3 | | N4 | N5 | N6 |
| | cyclonic | | | | C1 | C2 | C3 | C4 |
| HARDIEPLANK WEATHERBOARD (UP TO 230 WIDE) | | | | | | | | |
| max. stud spacing | within 1200mm of building edge | 600 | 600 | 600 | 450 | 450 | 300 | 300 |
| | elsewhere | 600 | 600 | 600 | 450 | 450 | 450 | 450 |
| HARDIEPLANK WEATHERBOARD (300 WIDTH ONLY) | | | | | | | | |
| max. stud spacing | within 1200mm of building edge | 600 | 600 | 600 | 450 | N/A | N/A | N/A |
| | elsewhere | 600 | 600 | 600 | 450 | N/A | N/A | N/A |

5.4 INSTALLATION

5.4.1 Installation procedure for HardiePlank weatherboard

Step 1

Using a spirit or water level, establish a level line around lower perimeter of the frame and fix the HardiePlank footmould. Refer to Figure 23.

Step 2

Start the first plank against the HardiePlank 7.5mm zincalume footmould, flush with an external corner. Fasten the plank to the frame through the strip. Ensure that the holding clips on the HardiePlank 7.5mm zincalume footmould are opened out prior to fitting the first board.

Step 3

If off-stud jointing is to be used, fit either metal soaker (refer to Clause 5.5.3) or jointing strip (refer to Clause 5.5.4) to the free end of the first plank, and continue fitting the bottom course of planks.

Step 4

After completing the first course, position subsequent courses using a storey rod or lap gauge to obtain the required lap, staggering the joints as you go.

5.5 JOINTING

5.5.1 General

Generally, on-stud jointing can give a tidier result than off-stud jointing. In addition, since the joint is fully supported by the backing stud, the joint is more resistant to impact loading and the board ends to displacement. The sealant joint filler will be more resistant to cracking and failure.

To maximise the wall strength, integrity and good looks of a wall, butt joints between weatherboards in an area of wall should be staggered over two or more stud lines (ie. avoid joints located directly in the same vertical line).

5.5.2 On-stud jointing

HardiePlank weatherboards should be joined on a 45mm single stud or a double 35mm stud.

Step 1

Ensure ends of planks are square and smooth. Use factory cut ends where possible.

Step 2

Pack out stud with timber off cut for fixing end of plank.

Step 3

Pre-drill holes 20mm from end of planks.

Step 4

Fix planks leaving a 3mm gap if sealant is to be used or butt them together without sealant. Refer to Clause 2.3.2 for sealant jointing details.

5.5.3 Off-stud jointing (with metal soakers)

For concealed off-stud jointing of planks, metal soakers are recommended. Select a soaker sized to suit the required 205, 230 or 300mm wide profile.

NOTES

1. Metal soakers are not recommended in coastal areas (refer to Clause 2.2.2 for definition of coastal areas) as this accessory may corrode in these areas.
2. For an alternative method of fixing planks that is recommended in coastal areas, refer to Clause 5.5.4.

Install metal soakers as follows:

Step 1

Ends of planks must be cut square and smooth. Use factory cut ends where possible.

Step 2

At the bottom row of planks only, cut off the lower flanges of the soaker with tin snips before use. Slip the metal soaker over the end of the plank, ensuring it fits hard up against the plank end. Fasten plank to studs. Refer to Figure 26.

Step 3

Fasten the next plank in position, ensuring that the lower edge of abutting planks are aligned and the end of each plank is hard up against the stop in the metal soakers. The stop helps form a 3mm gap that must be filled with sealant.

Step 4

Fill the gap with sealant. Refer to Clause 2.3.2 for sealant jointing details.

Step 5

With subsequent rows of planks, ensure the lower prongs of the metal soakers are firmly located over the top of the previous row.

5.5.4 Off-stud jointing (alternative detail)

For HardiePlank Woodgrain and Smooth weatherboard profiles, PVC jointing strips can be used.

For Smooth profile, use PVC Smooth jointer. Refer to Figure 27.

For Woodgrain profile, use PVC Woodgrain jointer.

Refer to Figure 28.

6 SAFE WORKING PRACTICES

WARNING - DO NOT BREATHE DUST AND CUT ONLY IN WELL VENTILATED AREA

James Hardie™ products contain sand, a source of respirable crystalline silica which is considered by some international authorities to be a cause of cancer from some occupational sources. Breathing excessive amounts of respirable silica dust can also cause a disabling and potentially fatal lung disease called silicosis, and has been linked with other diseases. Some studies suggest smoking may increase these risks. During installation or handling: (1) work in outdoor areas with ample ventilation; (2) minimise dust when cutting by using either 'score and snap' knife, fibre cement shears or, where not feasible, use a HardieBlade™ Saw Blade (or equivalent) and dust-reducing circular saw attached to an appropriate, well maintained, filtered vacuum; (3) warn others in the immediate area to avoid breathing dust; (4) wear a properly-fitted, approved dust mask or respirator (e.g. P1 or P2) in accordance with applicable government regulations and manufacturer instructions to further limit respirable silica exposures. During clean-up use a vacuum and filter, both of which are well maintained and appropriate for capturing fine (respirable) dust. Alternatively, use wet clean-up methods - never dry sweep. For further information, refer to our installation instructions and Safety Data Sheets available at www.jameshardie.com.au. FAILURE TO ADHERE TO OUR WARNINGS, SAFETY DATA SHEETS, AND INSTALLATION INSTRUCTIONS MAY LEAD TO SERIOUS PERSONAL INJURY OR DEATH.

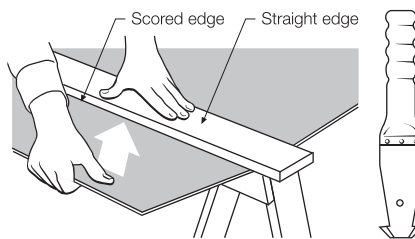
WORKING INSTRUCTIONS

Refer to recommended safe working practices before starting any cutting or machining of product.

Score and snap

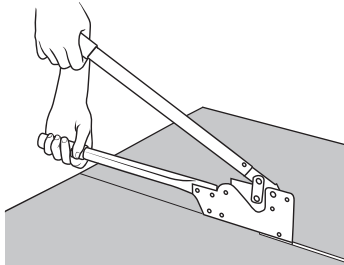
Score and snap is a fast and efficient method of cutting James Hardie building products using James Hardie's special tungsten tipped score and snap knife.

Preferably score on the face side of the product. Score against a straight edge and repeat the action to obtain adequate depth for clean break – normally one third of sheet thickness. Snap upwards to achieve break. Smooth any rough edges with a rasp.



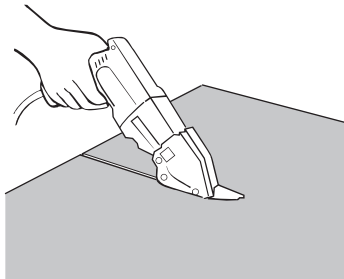
Hand guillotine

Make guillotine cut on the off-cut side of line to allow for the thickness of the blade.



Fibreshear

An electrically powered, fast, clean and effortless way of cutting James Hardie building products, especially around curves such as archways. Make fibreshear cut on the off-cut side of the line to allow for the thickness of the shear.



JAMES HARDIE RECOMMENDED SAFE WORKING PRACTICES

CUTTING OUTDOORS

1. Position cutting station so wind will blow dust away from the user or others in working area.
2. Use one of the following methods based on the required cutting rate:
 - Best** ▪ Score and snap ▪ Hand guillotine ▪ Fibreshear
 - Better** ▪ Position the cutting station in a well-ventilated area. Use a dust reducing circular saw equipped with HardieBlade™ Saw Blade or comparable fibre cement blade and well maintained vacuum and filter appropriate for capturing fine (respirable) dust.

CUTTING INDOORS

- Cut only using score and snap, hand guillotine or fibreshears (manual, electric or pneumatic).
- Position cutting station in a well-ventilated area

DRILLING / OTHER MACHINING

When drilling or machining you should always wear a P1 or P2 dust mask and warn others in the immediate area.

IMPORTANT NOTES

1. For maximum protection (lowest respirable dust production) James Hardie recommends always using best practice cutting methods where feasible.
2. NEVER use a power saw indoors.
3. ALWAYS use a circular saw blade that carries the HardieBlade™ logo or is of at least comparable performance.
4. NEVER dry sweep - Use wet suppression or appropriate vacuum and filter.
5. NEVER use grinders.
6. ALWAYS follow tool manufacturers' safety recommendations.

DUST MASKS AND RESPIRATORS

James Hardie recommends the use of P2 respirators as best practice. As a minimum, an AS/NZS1716 P1 respirator must be used when doing any activity that may create dust. For more extensive guidance and options for selecting respirators for workplaces please refer to Australian/New Zealand Standard 1715:2009 "Selection, Use and Maintenance of Respiratory Protective Equipment".

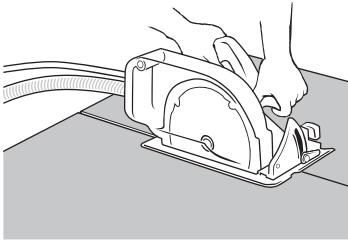
P1 or P2 respirators should be used in conjunction with the above cutting practices to minimise dust exposure.

For further information, refer to Safety Data Sheet (SDS) available at www.jameshardie.com.au. If concern still exists about exposure levels or you do not comply with the above practices, you should always consult a qualified industrial hygienist or contact James Hardie for further information.

7 PRODUCT INFORMATION

HardieBlade™ Saw Blade

The HardieBlade™ Saw Blade used with a dust-reducing saw and HEPA vacuum extraction allows for fast, clean cutting of James Hardie fibre cement products. A dust-reducing saw uses a dust deflector or a dust collector which can be connected to a vacuum system. When sawing, clamp a straight-edge to the sheet as a guide and run the saw base plate along the straight edge when making the cut.



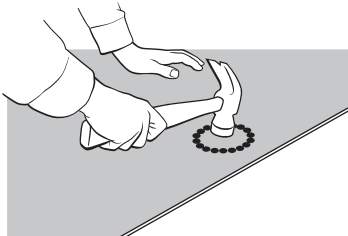
HOLE-FORMING

For smooth clean cut circular holes:

- Mark the centre of the hole on the sheet.
- Pre-drill a pilot hole.
- Using the pilot hole as a guide, cut the hole to the appropriate diameter with a hole saw fitted to a heavy duty electric drill.

For irregular holes:

- Small rectangular or circular holes can be cut by drilling a series of small holes around the perimeter of the hole then tapping out the waste piece from the sheet face.
- Tap carefully to avoid damage to sheets, ensuring the sheet edges are properly supported.



STORAGE AND HANDLING

To avoid damage, all James Hardie building products should be stored with edges and corners of the sheets protected from chipping.

James Hardie building products must be installed in a dry state and be protected from rain during transport and storage. The product must be laid flat under cover on a smooth level surface clear of the ground to avoid exposure to water, moisture, etc.

QUALITY

James Hardie conducts stringent quality checks to ensure any product manufactured falls within our quality spectrum. It is the responsibility of the builder to ensure the product meets aesthetic requirements before installation. James Hardie will not be responsible for rectifying obvious aesthetic surface variations following installation.

7.1 GENERAL

The basic composition of James Hardie™ building products is Portland cement, ground sand, cellulose fibre, water and proprietary additives.

James Hardie™ building products are manufactured AS/NZS 2908.2 'Cellulose-Cement Products-Flat Sheet'. These are also compliant with equivalent standard ISO 8336 'Fibre-cement flat sheets - Product specification and test methods'. For product classification refer to the relevant Physical Properties Data Sheet.

7.2 PRODUCT MASS

Refer to Section 8.1 for the approximate mass at equilibrium moisture content for PrimeLine weatherboard, HardiePlank weatherboard, PanelClad sheet and HardieFlex sheet.

7.3 DURABILITY

7.3.1 Resistance to moisture/rotting

JH external cladding has demonstrated resistance to permanent moisture induced deterioration (rotting) by passing the following tests in accordance with AS/NZS 2908.2:

- Water permeability (Clause 8.2.2)
- Warm water (Clause 8.2.4)
- Heat rain (Clause 6.5)
- Soak dry (Clause 8.2.5)

7.3.2 Resistance to fire

The PrimeLine weatherboard, HardiePlank weatherboard, PanelClad sheet and HardieFlex sheet (JH external cladding) are suitable where non-combustible materials are required in accordance with C1.12 of the National Construction Code (NCC).

James Hardie building products have been tested by CSIRO in accordance with AS/NZS 3837 and are classified as conforming to Group 1 material (highest and best result possible), with an average specific extinction area far lower than the permissible 250m²/kg, as referenced in Specification C1.10a of the National Construction Code (NCC).

7.3.3 Resistance to termite attack

Based on testing completed by CSIRO Division of Forest Products and Ensis Australia James Hardie building products have demonstrated resistance to termite attack.

7.4 ALPINE REGIONS

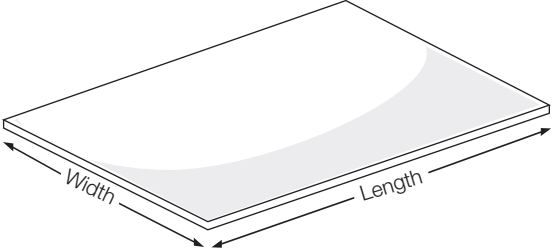
In regions subject to freeze/thaw conditions, all James Hardie fibre cement external cladding must be installed and painted in the warmer months of the year where the temperature does not create freeze and thaw conditions or paint issues. The cladding must be painted immediately after installation. In addition, fibre cement cladding must not be in direct contact with snow and/or ice build up for extended periods, e.g. external walls in alpine regions subject to snow drifts over winter.

Furthermore, a reputable paint manufacturer must be consulted in regards to a suitable product, specifications and warranty. The paint application must not be carried out if the air temperature or the substrate temperature is outside the paint manufacturer's recommendation including the specified drying temperature range

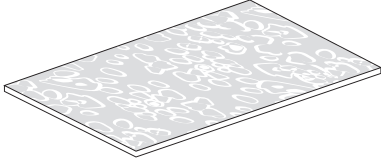
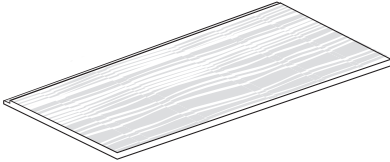
James Hardie external cladding products are tested for resistance to frost in accordance with AS/NZS 2908.2 Clause 8.2.3.

8 COMPONENTS

8.1 SHEET CLADDING


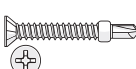

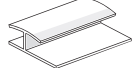
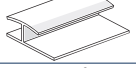
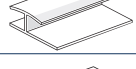
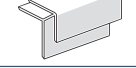
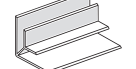
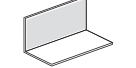


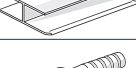



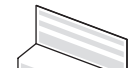



| HARDIEFLEX™ SHEET | | | |
|---|--|--------------------|--------------------|
|  | NOTE Sheets fixed using self embedding head (SEH) screws must be 6mm thick as embedment of the fastener head in 4.5mm sheets reduces wind loading capacity. Mass: 4.5mm = 6.0kg/m ² 6mm = 8.1kg/m ² | | |
| | SURFACE TEXTURE | SMOOTH TEXTURE | |
| | Length (mm) | Width (mm) | Thickness (mm): |
| | 1800 | 900 1200 | 4.5 4.5/6.0 |
| | 2100 | 1200 | 4.5 |
| | 2400 | 900 1200 | 4.5/6.0 4.5/6.0 |
| 2700 | 900 1200 | 4.5 4.5/6.0 | |
| 3000 | 900 1200 | 4.5/6.0 4.5/6.0 | |

*All dimensions and masses are approximate and subject to manufacture tolerances.

| PANELCLAD® SHEET | |
|---|---|
| STUCCO | |
|  | Surface texture: Heavily textured cement render. Lengths: 2440mm Width: 1200mm Thickness: 6.0mm Mass: 8.1kg/m ² |
| TEXTURELINE COLOUR GREY | |
|  | Surface texture: Band sawn timber with regular smooth groove. Lengths: 2700mm Width: 1198mm Thickness: 6.0mm Mass: 8.1kg/m ² |

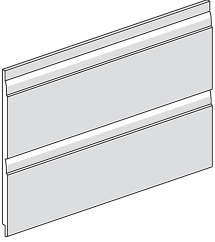
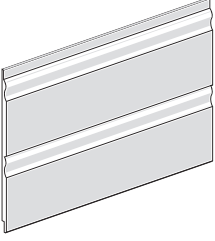
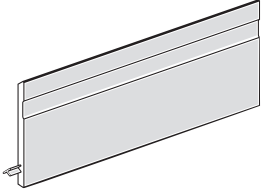
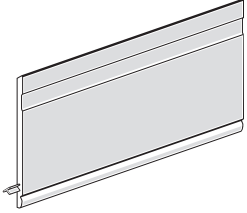
*All dimensions and masses are approximate and subject to manufacture tolerances.

SHEET CLADDING ACCESSORIES

| | | PANELCLAD SHEET | | HARDIEFLEX SHEET | |
|---|--|-----------------|-------------|------------------|-----|
| | | Stucco | TextureLine | 4.5mm* | 6mm |
|  | HardieDrive™ Screw 41mm long A class 3 self-tapping wing-tipped screw for fastening to 0.5mm to 1.6mm BMT light gauge steel frames. 1000 per box. Part No. 305984 | ■ | ■ | | ■ |
|  | HardieDrive™ Screw 41mm long A class 3 self-tapping wing-tipped screw for fastening to 0.5mm to 1.6mm BMT light gauge steel frames. Suitable for use in most auto feed screw guns 1000 per box. Part No. 305982 | ■ | ■ | | ■ |
|  | James Hardie™ PVC Flashing Mould for 6mm thick sheets. 3000mm long A PVC extrusion for multicourse fixing of 6mm thick sheets. Part No. 305552 | ■ | ■ | ■ | ■ |
|  | James Hardie™ PVC Straight Jointer for 6mm thick sheets. 3000mm long A PVC extrusion used to join 6mm thick sheets. Part No. 305546 | ■ | | | ■ |
|  | James Hardie™ PVC Straight Jointer for 4.5mm thick sheets. 2,400mm long A 2,400mm long PVC extrusion used to join 4.5mm thick sheets. Part No. 305538 | | | ■ | |
|  | James Hardie™ PVC Straight Jointer for 4.5mm thick sheets. 3,000mm long A 3,000mm long PVC extrusion used to join 4.5mm thick sheets. Part No. 305541 | | | ■ | |
|  | James Hardie™ PVC External Corner Angle for 6mm thick sheets 3,000mm long A PVC extrusion, to be used with 6mm thick sheets at external corner junctions to conceal the sheet edge. Part No. 305544 | ■ | ■ | | ■ |
|  | James Hardie™ PVC Internal Corner Angle for 6mm thick sheets 3,000mm long A PVC extrusion, to be used with 6mm thick sheets at internal corner junctions to conceal the sheet edge. Part No. 305545 | ■ | ■ | | ■ |
|  | James Hardie™ 75x75mm Colorbond® Corner Flashing. 3,000mm long A Colorbond® corner flashing for use behind cladding at internal and external corners. Part No. 305564 | ■ | ■ | ■ | ■ |
|  | James Hardie™ PVC Cap Mould for 4.5mm thick sheets. 3,000mm long A PVC extrusion used to finish 4.5mm thick sheet edges. Part No. 305542 | | | ■ | |
|  | James Hardie™ PVC Cap Mould for 6mm thick sheets. 3,000mm long A PVC extrusion used to finish 6mm thick sheet edges. Part No. 305543 | ■ | ■ | | ■ |
|  | PanelClad® TextureLine PVC Straight Jointer 2,700mm long A smooth PVC extrusion used to join 6mm thick PanelClad® Textureline Sheets. Part No. 305566 | | ■ | | |
|  | James Hardie™ Score and Snap Knife A tungsten tipped knife for scoring fibre cement sheets. Part No. 305576 | ■ | ■ | ■ | ■ |
|  | James Hardie™ Fibreshears Electric tool for cutting fibre cement sheets. Part No. 300653 | ■ | ■ | ■ | ■ |
|  | HardieBlade™ Saw Blade. 185mm diameter A 185mm diameter poly-diamond blade for fast and clean cutting of James Hardie fibre cement. Part No. 300660 | ■ | ■ | ■ | ■ |
|  | James Hardie™ 45x45mm PVC Corner Angle Mould Corner Angle Mould. 3,000mm long. Part No. 305554 | ■ | ■ | ■ | ■ |
|  | HardieEdge™ Trim An architectural slab edge solution fabricated from high-quality powder coated aluminium. Unit size: 3950mm. 4 per pack. Part No. 305911 Also available: Base Trim Jointer 12 per pack. Part No. 305912, Internal Corner 4 per pack. Part No. 305913 and External Corner 4 per pack. Part No. 305914 | ■ | ■ | ■ | ■ |
|  | HardieWrap™ Weather Barrier A non-perforated, highly breathable and reflective safe-glare weather barrier designed to be used behind James Hardie® external cladding products to help protect the building. For alternate products, please refer to HardieWrap™ weather barrier section 2.3.1.3. Unit size 2750mm x 30000mm Part No. 305664. | ■ | ■ | ■ | ■ |
| COMPONENTS NOT SUPPLIED BY JAMES HARDIE | | | | | |
| James Hardie recommends the following products be used in conjunction with its external cladding products. James Hardie does not supply these products and does not provide a warranty for their use. Please contact component manufacturers for information on their warranties and further information on their products. | | | | | |
|  | Fibre cement nails Galvanised nail 2.8 x 30mm | ■ | ■ | ■ | ■ |

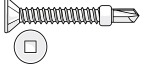
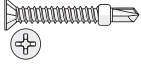
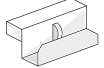
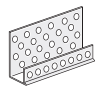
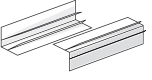

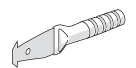


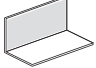
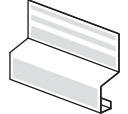


* Not suitable for use with SEH screws as fastener head embedment reduces wind load capacity.

8.2 PRIMELINE® WEATHERBOARD

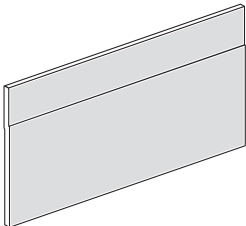
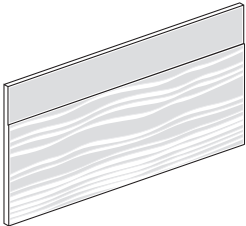
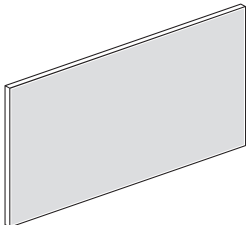
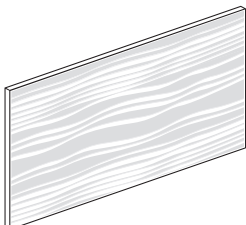
| PRIMELINE® WEATHERBOARD PROFILES | |
|---|--|
| <p>CHAMFER</p>  | <p>Surface texture: Two-in-one milled profiles for narrow plank effect. Matt smooth.</p> <p>Length: 4200mm</p> <p>Width: 300mm</p> <p>Thickness: 9.0mm</p> <p>*Effective cover: 18mm overlap - 278mm</p> <p>Mass: 3.6kg/lin.m</p> <p>*Pre-primed</p> |
| <p>HERITAGE</p>  | <p>Surface texture: Two-in-one milled profiles for narrow plank effect. Matt smooth.</p> <p>Length: 4200mm</p> <p>Width: 300mm</p> <p>Thickness: 9.0mm</p> <p>*Effective cover: 18mm overlap - 278mm</p> <p>Mass: 3.6kg/lin.m</p> <p>*Pre-primed</p> |
| <p>NEWPORT</p>  | <p>Surface texture: Lap recess for shadow definition. Milled smooth finish.</p> <p>Length: 4200mm</p> <p>Width: 170mm</p> <p>Thickness: 9.0mm</p> <p>*Effective cover: 25mm overlap - 142mm</p> <p>Mass: 2.1kg/lin.m</p> <p>*Pre-primed</p> |
| <p>SUMMIT</p>  | <p>Surface texture: Milled profile. Matt smooth.</p> <p>Length: 4200mm</p> <p>Width: 230mm</p> <p>Thickness: 9.0mm</p> <p>*Effective cover: 33mm overlap - 194mm</p> <p>Mass: 2.8kg/lin.m</p> <p>*Pre-primed</p> |

* Effective cover is based on maximum manufactured sheet widths. These values are provided for guidance only. Due to manufacturing tolerances it is recommended that actual cover is measured on site.

PRIMELINE® WEATHERBOARD ACCESSORIES

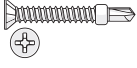
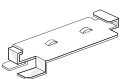
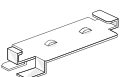
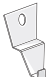
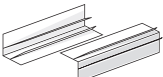


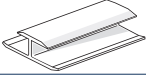
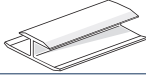
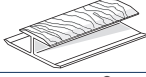

| | | Chamfer | Heritage | Summit | Newport |
|---|---|---------|----------|--------|---------|
|  | HardieDrive™ Screw 41mm long A class 3 self-tapping wing-tipped screw for fastening to 0.5mm to 1.6mm BMT light gauge steel frames. 1000 per box. Part No. 305984 | ■ | ■ | ■ | ■ |
|  | HardieDrive™ Collated Screw 41mm long A class 3 self-tapping wing-tipped screw for fastening to 0.5mm to 1.6mm BMT light gauge steel frames. Suitable for use in most auto feed screw guns. 1000 per box. Part No. 305982 | ■ | ■ | ■ | ■ |
|  | PrimeLine® Galvanised Universal Off Stud Joint Clip A galvanised metal clip to be used for off stud jointing of PrimeLine® Heritage and PrimeLine® Chamfer weatherboards. Part No. 305525 | ■ | ■ | | |
|  | James Hardie™ 7.5mm PVC Starter Strip, 3,000mm long A perforated PVC extrusion, used with HardieTex™ sheet to provide a straight edge to finish the texture coating or used with PrimeLine® Newport or Summit weatherboard to secure the bottom row at the correct angle. Part No. 305568 | | | ■ | ■ |
|  | James Hardie™ Aluminium Snap on Corner, 3,000mm long (2 pieces per set) A ready to paint aluminium extrusion set, to be used with Scyon™ Axon™ cladding, HardiePlank™ weatherboard and PrimeLine™ weatherboard, at internal and external corner junctions to conceal the board edge. Part No. 305513 | ■ | ■ | ■ | ■ |
|  | James Hardie™ Joint Sealant, 300ml cartridge A general purpose, paintable, exterior grade polyurethane joint sealant. Part No. 305534 | ■ | ■ | ■ | ■ |
|  | James Hardie™ Score and Snap Knife A tungsten tipped knife for scoring fibre cement sheets. Part No. 305576 | ■ | ■ | ■ | ■ |
|  | James Hardie Fibreshears Electric tool for cutting fibre cement sheets. Part No. 300653 | ■ | ■ | ■ | ■ |
|  | HardieBlade™ Saw Blade, 185mm diameter A 185mm diameter poly-diamond blade for fast and clean cutting of James Hardie fibre cement. Part No. 300660 | ■ | ■ | ■ | ■ |
|  | James Hardie™ 75x75mm Colorbond® Corner Flashing, 3,000mm long A Colorbond® corner flashing for use behind cladding at internal and external corners. Part No. 305564 | ■ | ■ | ■ | ■ |
|  | HardieEdge™ Trim An architectural slab edge solution fabricated from high-quality powder coated aluminium. Unit size: 3950mm. 4 per pack. Part No. 305911 Also available: Base Trim Joints 12 per pack. Part No. 305912, Internal Corner 4 per pack. Part No. 305913 and External Corner 4 per pack. Part No. 305914 | ■ | ■ | ■ | ■ |
|  | HardieWrap™ Weather Barrier A non-perforated, highly breathable and reflective safe-glare weather barrier designed to be used behind James Hardie® external cladding products to help protect the building. For alternate products, please refer to HardieWrap™ weather barrier section 2.3.1.3. Unit size 2750mm x 3000mm Part No. 305664. | ■ | ■ | ■ | ■ |
| COMPONENTS NOT SUPPLIED BY JAMES HARDIE | | | | | |
| James Hardie recommends the following products be used in conjunction with its external cladding products. James Hardie does not supply these products and does not provide a warranty for their use. Please contact component manufacturers for information on their warranties and further information on their products. | | | | | |
|  | Fibre cement nails Galvanised nail 2.8 x 40mm | ■ | ■ | ■ | ■ |

8.3 HARDIEPLANK® WEATHERBOARD

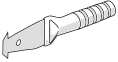
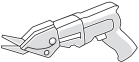

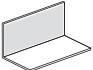
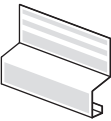


| HARDIEPLANK® WEATHERBOARD PROFILES | |
|---|--|
| OLD STYLE | |
|  | <p>Surface texture: Lap recess for shadow definition. Matt smooth</p> <p>Length: 4200mm</p> <p>Width: 205mm</p> <p>Thickness: 7.5mm</p> <p>*Effective cover: 25mm overlap - 180mm</p> <p>Mass: 2.1kg/lin.m</p> |
| RUSTICATED | |
|  | <p>Surface texture: Lap recess for shadow definition. Weathered rough sawn timber.</p> <p>Length: 4200mm</p> <p>Width: 205mm</p> <p>Thickness: 7.5mm</p> <p>*Effective cover: 25mm overlap - 180mm</p> <p>Mass: 2.1kg/lin.m</p> <p>*Pre-primed</p> |
| SMOOTH | |
|  | <p>Surface texture: Matt smooth.</p> <p>Length: 4200mm</p> <p>Width: 230mm; 300mm</p> <p>Thickness: 7.5mm</p> <p>*Effective cover: For 230: 25mm overlap - 205mm For 300: 25mm overlap - 275mm</p> <p>Mass: For 230: 2.3kg/lin.m For 300: 3.0kg/lin.m</p> |
| WOODGRAIN | |
|  | <p>Surface texture: Timber grained.</p> <p>Length: 4200mm</p> <p>Width: 230mm; 300mm</p> <p>Thickness: 7.5mm</p> <p>*Effective cover: For 230: 25mm overlap - 205mm For 300: 25mm overlap - 275mm</p> <p>Mass: For 230: 2.3kg/lin.m For 300: 3.0kg/lin.m</p> |

* Effective cover is based on maximum manufactured sheet widths. These values are provided for guidance only. Due to manufacturing tolerances it is recommended that actual cover is measured on site.

HARDIEPLANK® CLADDING ACCESSORIES

| | | Smooth | Woodgrain | Rusticated | Old Style |
|---|---|--------|-----------|------------|-----------|
|  | HardieDrive™ Screw 41mm long A class 3 self-tapping wing-tipped screw for fastening to 0.5mm to 1.6mm BMT light gauge steel frames. 1000 per box Part No. 305984 | ■ | ■ | ■ | ■ |
|  | HardieDrive™ Collated Screw 41mm long A class 3 self-tapping wing-tipped screw for fastening to 0.5mm to 1.6mm BMT light gauge steel frames. Suitable for use in most auto feed screw guns. 1000 per box Part No. 305982 | ■ | ■ | ■ | ■ |
|  | HardiePlank™ Zincalume Footmould. 3,000mm long A zincalume starter strip to be used with HardiePlank™ weatherboard to kick out the bottom row to the correct angle. Part No. 305528 | ■ | ■ | ■ | ■ |
|  | HardiePlank™ Galvanised Soaker Jointer for 205mm wide boards A galvanised metal jointer used to join 205mm wide HardiePlank™ weatherboards. It's a concealed alternative to PVC jointers. Part No. 305523 | | | ■ | ■ |
|  | HardiePlank™ Galvanised Soaker Jointer for 230mm wide boards A galvanised metal jointer used to join 230mm wide HardiePlank™ weatherboards. It's a concealed alternative to PVC jointers. Part No. 305522 | ■ | ■ | | |
|  | HardiePlank™ Galvanised Soaker Jointer for 300mm wide boards A galvanised metal jointer used to join 300mm wide HardiePlank™ weatherboards. It's a concealed alternative to PVC jointers. Part No. 305527 | ■ | ■ | | |
|  | HardiePlank™ Galvanised Stud Clip A galvanised metal stud clip to be used with HardiePlank™ weatherboard to automatically set a 25mm lap. Part No. 305524 | ■ | ■ | ■ | ■ |
|  | James Hardie™ Aluminium Snap on Corner. 3,000mm long (2 pieces per set). A ready to paint aluminium extrusion set, to be used with Scyon™ Axon™ cladding, HardiePlank™ weatherboard and PrimeLine™ weatherboard, at internal and external corner junctions to conceal the board edge. Part No. 305513 | ■ | ■ | ■ | ■ |
|  | HardiePlank™ Aluminium External Corner Soaker for 230mm wide boards A ready to paint aluminium corner soaker, to be used with 230mm wide HardiePlank™ weatherboard, at external corner junctions to conceal the board edge. Part No. 305514 | ■ | ■ | | |
|  | HardiePlank™ Aluminium External Corner Soaker for 300mm wide boards A ready to paint aluminium corner soaker, to be used with 300mm wide HardiePlank™ weatherboard, at external corner junctions to conceal the board edge. Part No. 305515 | ■ | ■ | | |
|  | HardiePlank™ Aluminium Internal Corner Soaker for 230mm wide boards A ready to paint aluminium corner soaker, to be used with 230mm wide HardiePlank™ weatherboard, at internal corner junctions to conceal the board edge. Part No. 305516 | ■ | ■ | | |
|  | HardiePlank™ Aluminium Internal Corner Soaker for 300mm wide boards A ready to paint aluminium corner soaker, to be used with 300mm wide HardiePlank™ weatherboard, at internal corner junctions to conceal the board edge. Part No. 305517 | ■ | ■ | | |
|  | HardiePlank™ Smooth PVC Jointer for 230mm wide boards A smooth PVC extrusion used to join 230mm wide HardiePlank™ weatherboards. Part No. 305548 | ■ | | | |
|  | HardiePlank™ Smooth PVC Jointer for 300mm wide boards A smooth PVC extrusion used to join 300mm wide HardiePlank™ weatherboards. Part No. 305549 | ■ | | | |
|  | HardiePlank™ Woodgrain PVC Jointer for 230mm wide boards A woodgrain textured PVC extrusion used to join 230mm wide HardiePlank™ weatherboards. Part No. 305550 | | ■ | | |
|  | HardiePlank™ Woodgrain PVC Jointer for 300mm wide boards A woodgrain textured PVC extrusion used to join 300mm wide HardiePlank™ weatherboards. Part No. 305551 | | ■ | | |
|  | James Hardie™ Joint Sealant. 300ml cartridge A general purpose, paintable, exterior grade polyurethane joint sealant. Part No. 305534 | ■ | ■ | ■ | ■ |

HARDIEPLANK® CLADDING ACCESSORIES CONTINUED

| | | Smooth | Woodgrain | Rusticated | Old Style |
|---|---|--------|-----------|------------|-----------|
|  | James Hardie™ Score and Snap Knife A tungsten tipped knife for scoring fibre cement sheets. Part No. 305576 | ■ | ■ | ■ | ■ |
|  | James Hardie™ Fibreshears Electric tool for cutting fibre cement sheets. Part No. 300653 | ■ | ■ | ■ | ■ |
|  | HardieBlade™ Saw Blade. 185mm diameter A 185mm diameter poly-diamond blade for fast and clean cutting of James Hardie fibre cement. Part No. 300660 | ■ | ■ | ■ | ■ |
|  | James Hardie™ 75x75mm Colorbond® Corner Flashing. 3,000mm long A Colorbond® corner flashing for use behind cladding at internal and external corners. Part No. 305564 | ■ | ■ | ■ | ■ |
|  | HardieEdge™ Trim An architectural slab edge solution fabricated from high-quality powder coated aluminium. Unit size: 3950mm. 4 per pack. Part No. 305911 Also available: Base Trim Joints 12 per pack. Part No. 305912, Internal Corner 4 per pack. Part No. 305913 and External Corner 4 per pack. Part No. 305914 | ■ | ■ | ■ | ■ |
|  | HardieWrap™ Weather Barrier A non-perforated, highly breathable and reflective safe-glare weather barrier designed to be used behind James Hardie® external cladding products to help protect the building. For alternate products, please refer to HardieWrap™ weather barrier section 2.3.1.3. Unit size 2750mm x 30000mm Part No. 305664. | ■ | ■ | ■ | ■ |
| COMPONENTS NOT SUPPLIED BY JAMES HARDIE | | | | | |
| James Hardie recommends the following products be used in conjunction with its external cladding products. James Hardie does not supply these products and does not provide a warranty for their use. Please contact component manufacturers for information on their warranties and further information on their products. | | | | | |
|  | Fibre cement nails Galvanised nail 2.8 x 40mm | ■ | ■ | ■ | ■ |

9 DETAILS

NOTE: All James Hardie CAD details including James Hardie product BIM content can be downloaded at www.accel.com.au

9.1 GENERAL

This section contains general details relating to the use of James Hardie products in external cladding applications. These details are referenced throughout this specification.

9.2 HARDIEPLANK® WEATHERBOARD AND PRIMELINE® WEATHERBOARD DETAILS

9.2.1 General

This section includes details for internal and external corners for HardiePlank weatherboard and PrimeLine weatherboard applications, window details, instructions for cutting around openings and details at eaves.

9.2.2 Internal and external corners

9.2.2.1 Snap on corners

Fix the inner sections of the two piece aluminium snap on accessory to the framing. Once all weatherboards or planks on both sides are fixed in place, snap the outer part of the accessory into place over the teeth of the first installed section. Refer to Figure 28 and Figure 29.

9.2.2.2 Timber stops

Alternatively, sawn timber stops can be used. Use a 25 x 25mm timber stop at internal corners. Refer to Figure 30 and Figure 31.

9.2.2.3 Aluminium corner for HardiePlank weatherboard profiles

A third option is available for HardiePlank weatherboard profiles using aluminium internal and external corners that are clipped on to the boards during installation. Refer to Figure 32 and Figure 33.

9.2.3 Window details

For trimming and flashing the ends of weatherboards or planks at window openings, you must observe similar principles used for sheet cladding. Refer to Figure 34, Figure 35 and Figure 36 for guidance on head, jamb and sill details respectively.

Refer to window manufacturer for appropriate installation and flashing details.

9.2.4 Cutting around openings

Where the width of a weatherboard or plank is reduced at openings, joints in weatherboards or planks must be provided as follows:

- For opening widths up to 1800mm - 1 joint minimum. Ideally, this should be located at a corner, but where joint lengths override this, the location of the joint can fall between the two corners. Refer to Figure 37.
- For opening widths over 1800mm - 1 joint at each corner.

9.2.5 Detail at eaves

When the weatherboards or planks do not finish at a full width to the underside of the eave, a suggested detail is to cut the weatherboard or plank to suit and cover with a timber batten. Refer to Figure 38.

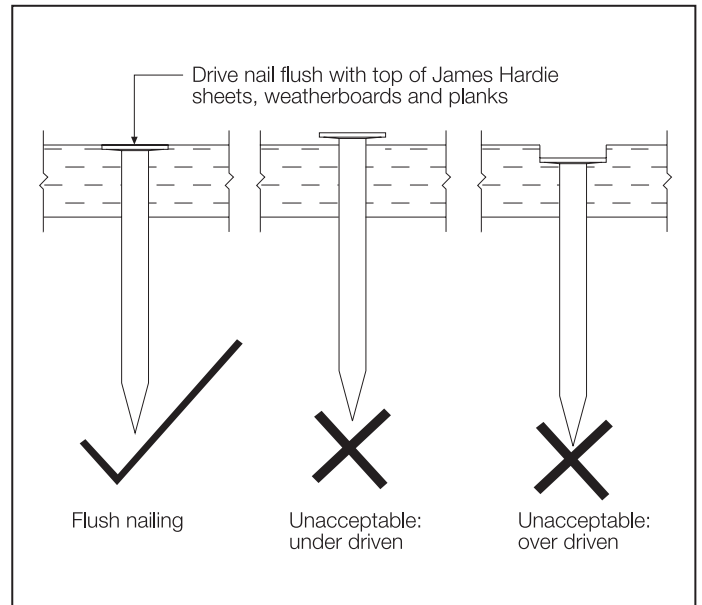


FIGURE 1 NAIL FASTENER DEPTH

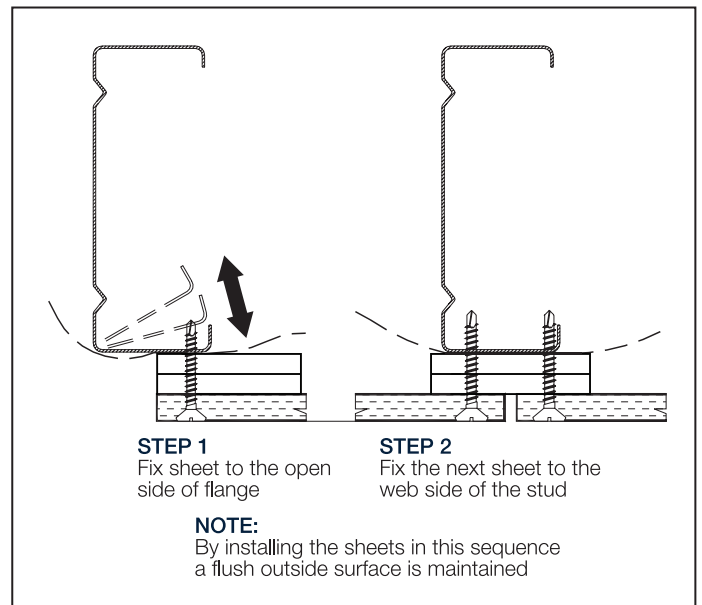


FIGURE 2 SCREW FASTENING

NOTE

1. Drive screws flush with top of James Hardie sheets, weatherboards and planks.
2. By installing the sheets in this sequence a flush outside surface is maintained.

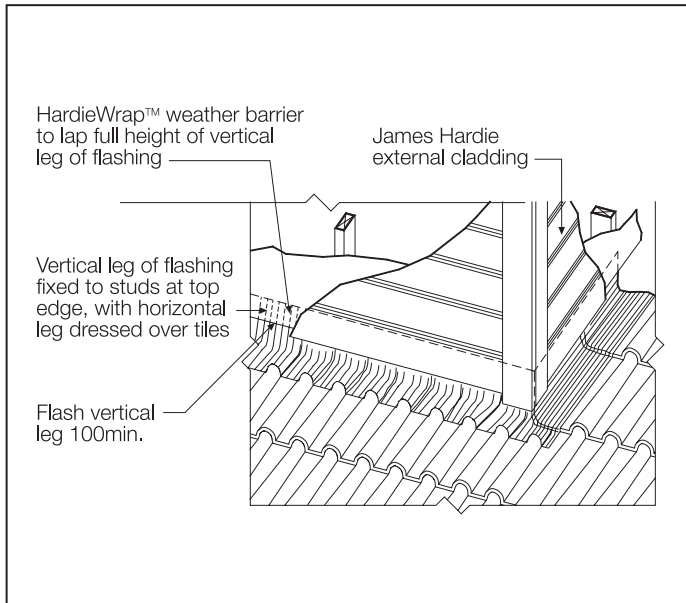


FIGURE 3 SARKING REQUIREMENT FOR EXPOSED CONDITIONS

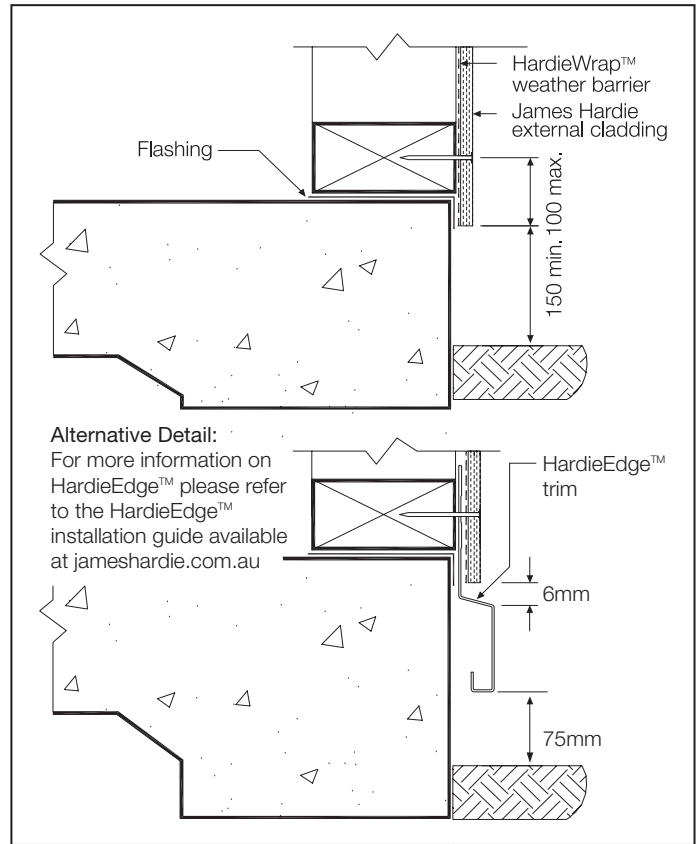


FIGURE 4 TYPICAL DETAIL AT GROUND LEVEL

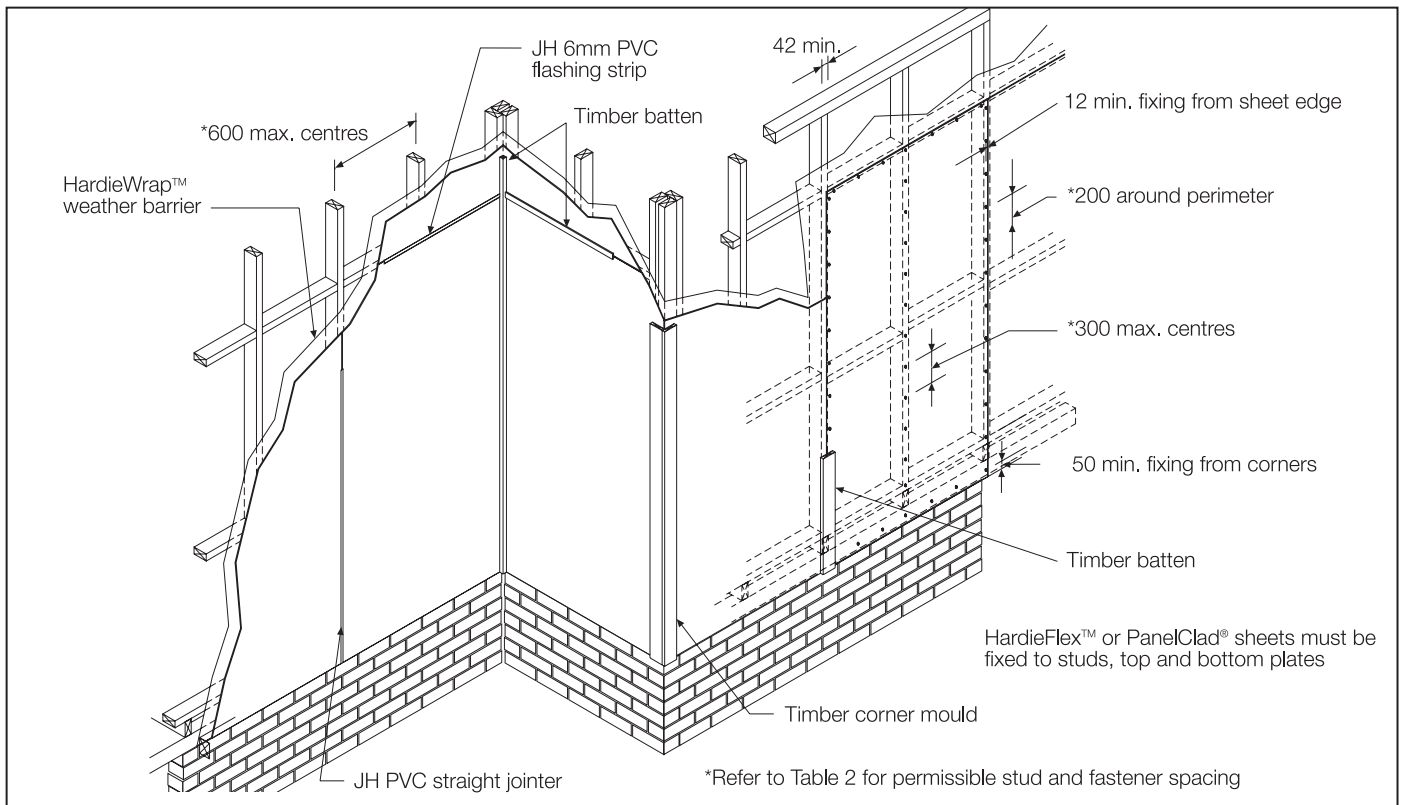


FIGURE 5 FIXING AND FRAMING

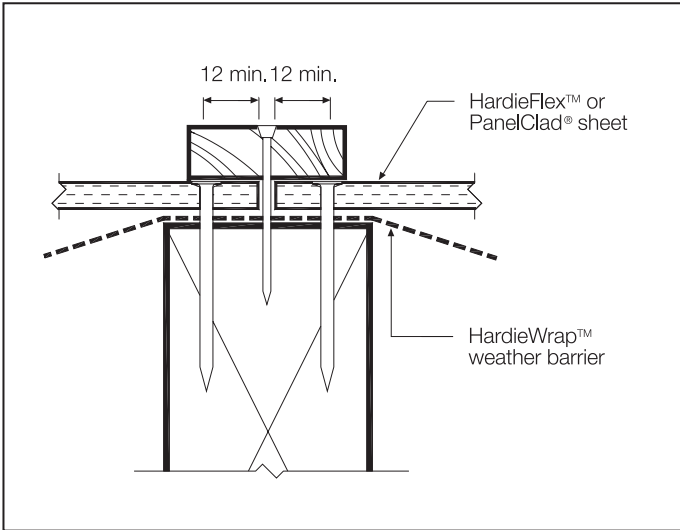


FIGURE 6 TIMBER BATTEN JOINT

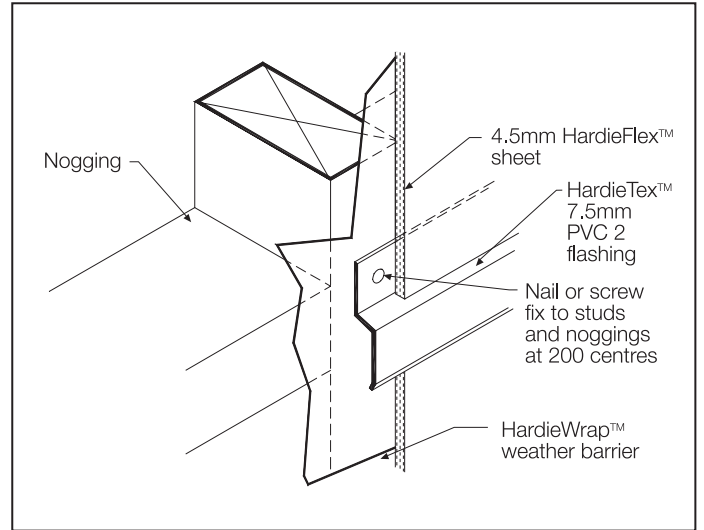


FIGURE 9 DRIP STRIP JOINT

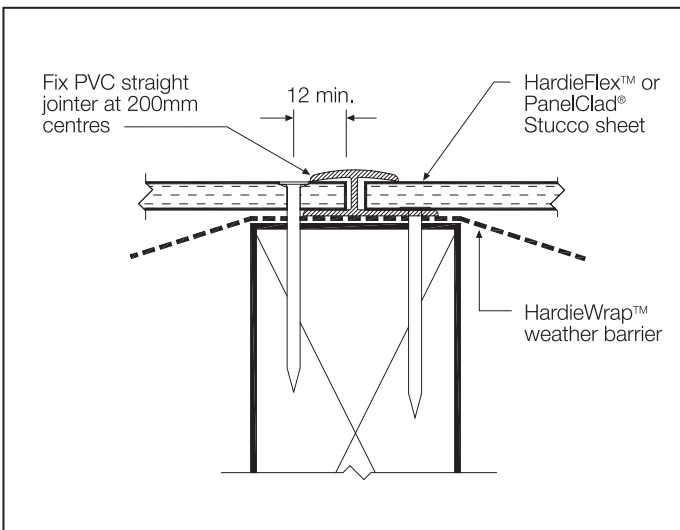


FIGURE 7 PVC STRAIGHT JOINTER

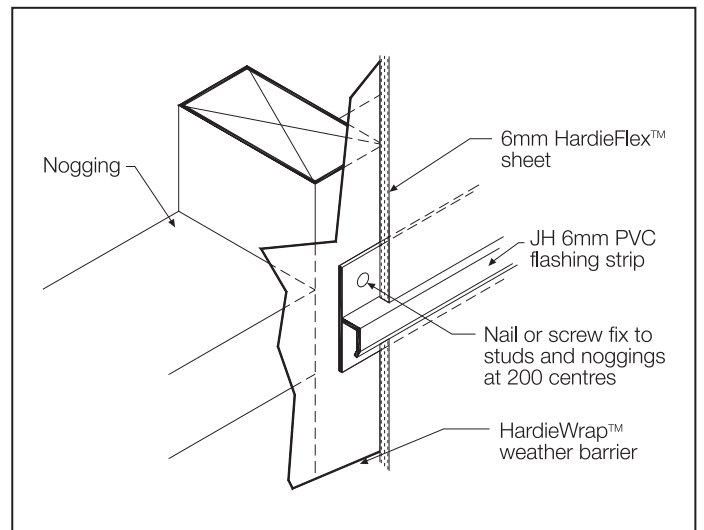


FIGURE 10 HORIZONTAL FLASHING MOULD

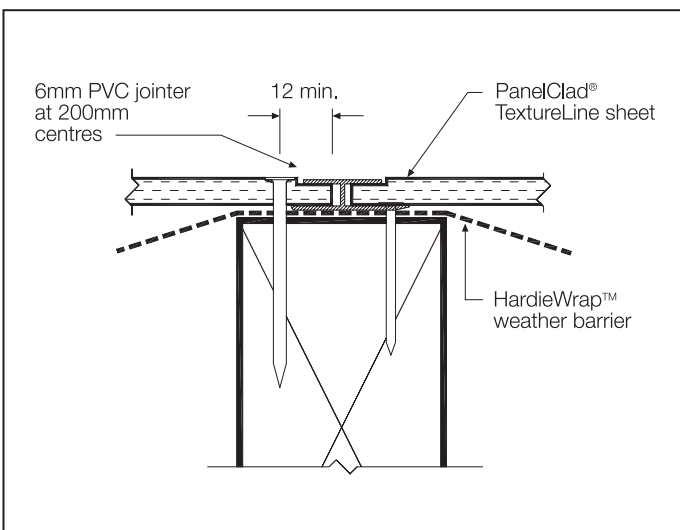


FIGURE 8 TEXTURELINE JOINT

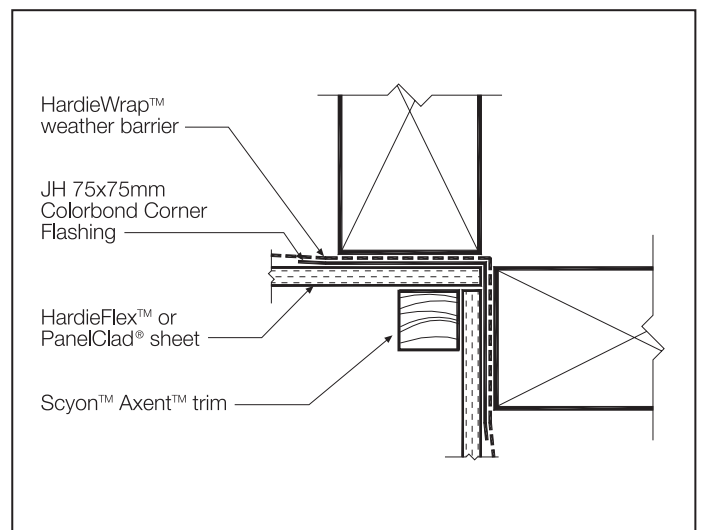


FIGURE 11 TIMBER BATTENING INTERNAL CORNER

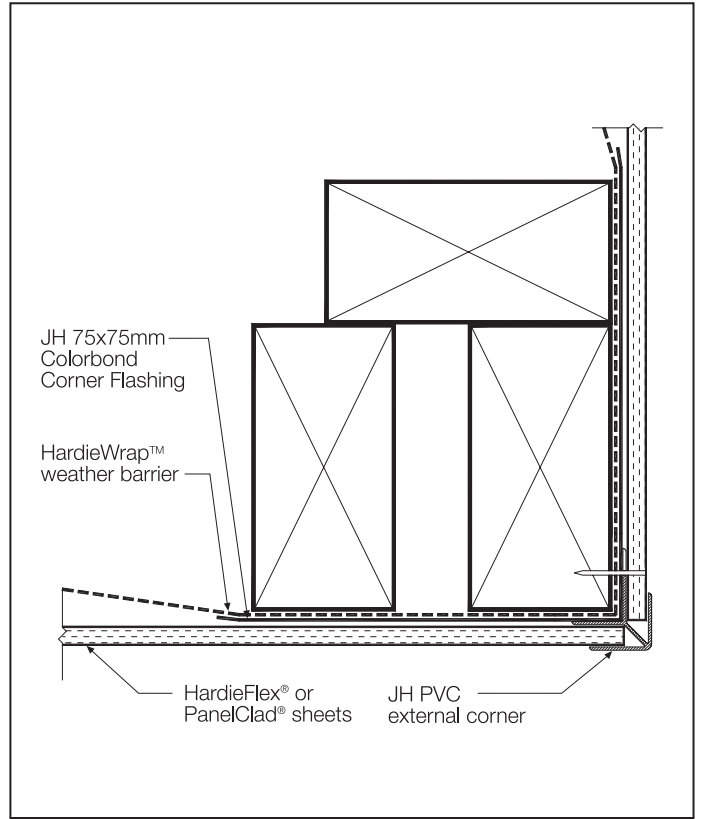
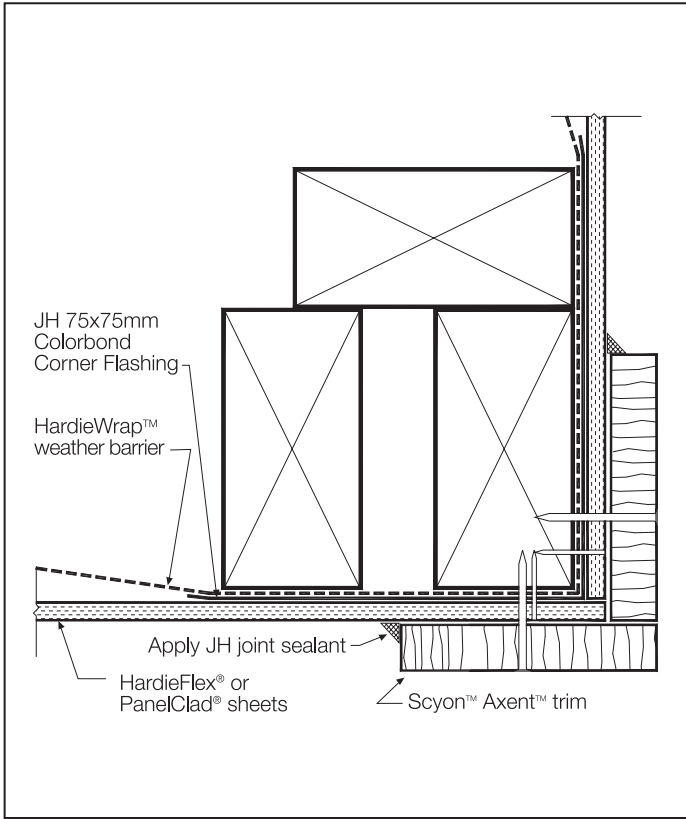


FIGURE 14 PVC EXTERNAL CORNER

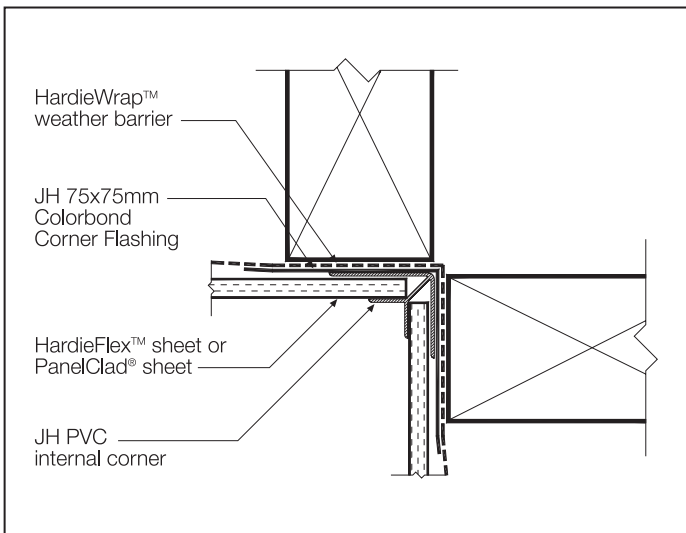


FIGURE 13 PVC INTERNAL CORNER

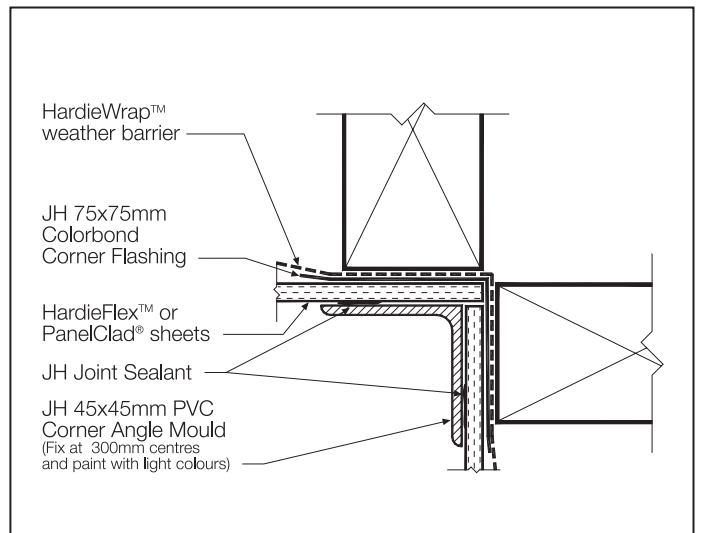


FIGURE 15 PVC CORNER ANGLE MOULD

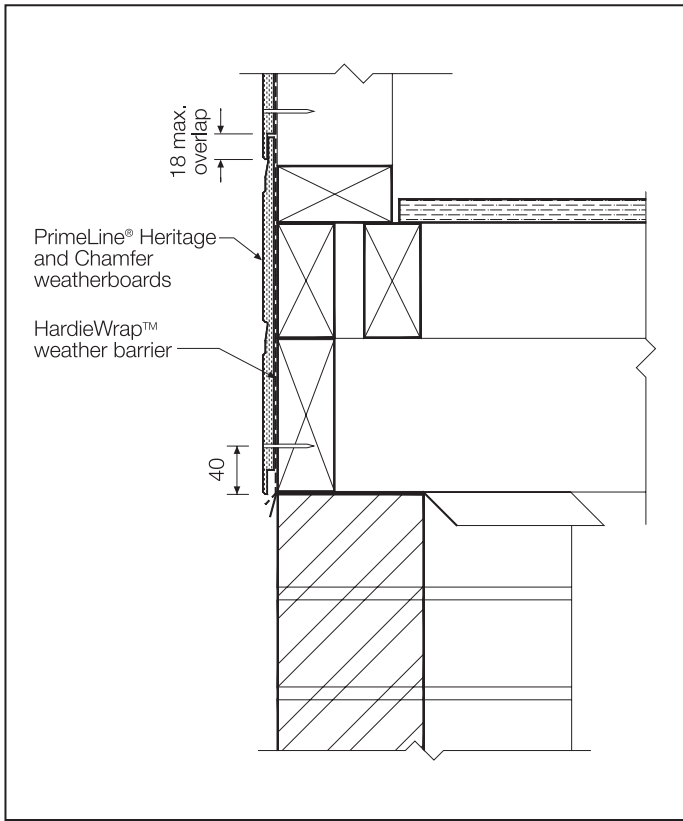
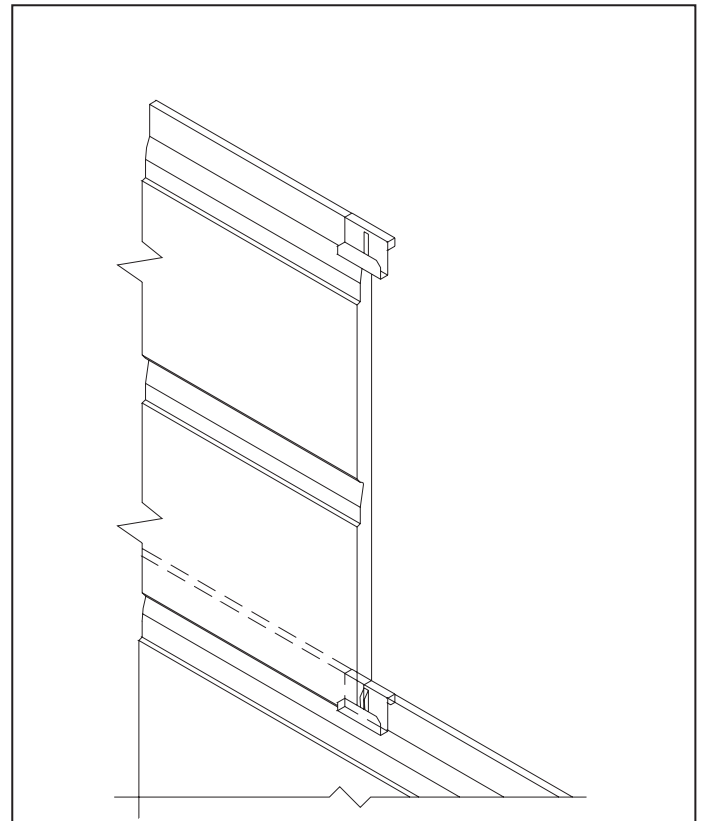


FIGURE 16 FIXING THE FIRST PRIMELINE HERITAGE AND CHAMFER WEATHERBOARD



STEP 1

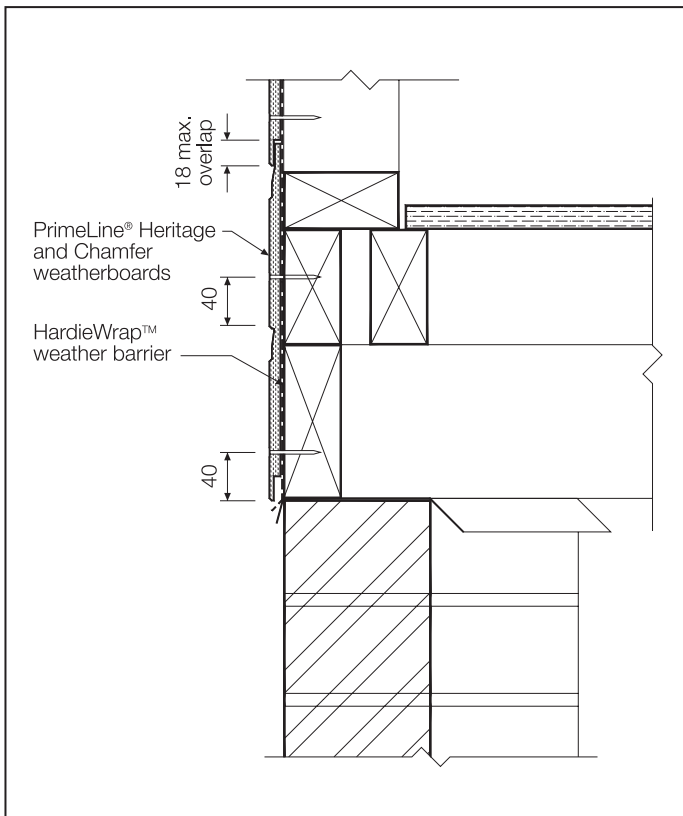
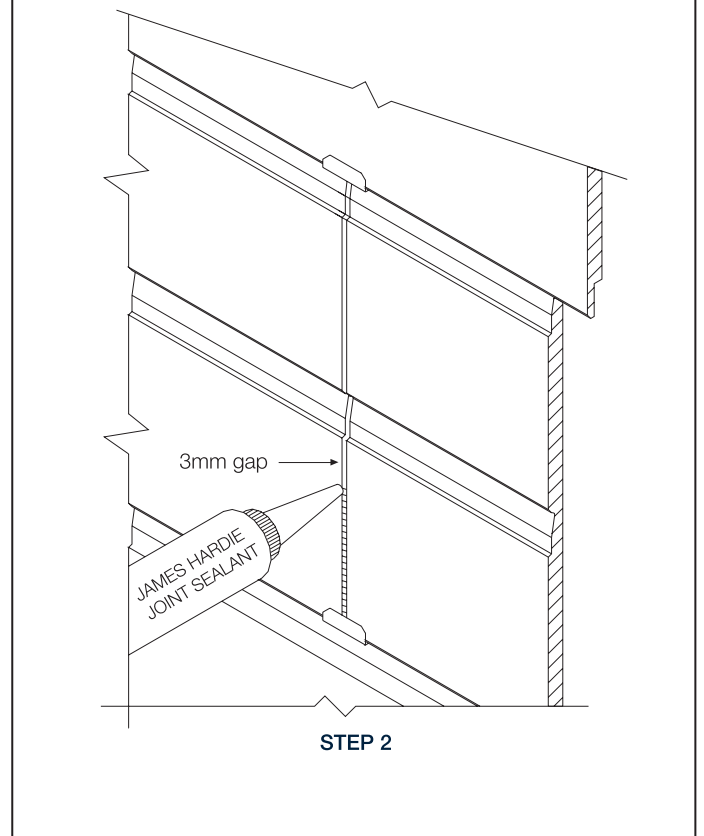


FIGURE 17 FIXING PRIMELINE HERITAGE AND CHAMFER WEATHERBOARDS IN N4/C2, N5/C3 WIND REGIONS



STEP 2

FIGURE 18 UNICLIP ACCESSORY FOR PRIMELINE HERITAGE AND CHAMFER WEATHERBOARDS OFF-STUD JOINTING

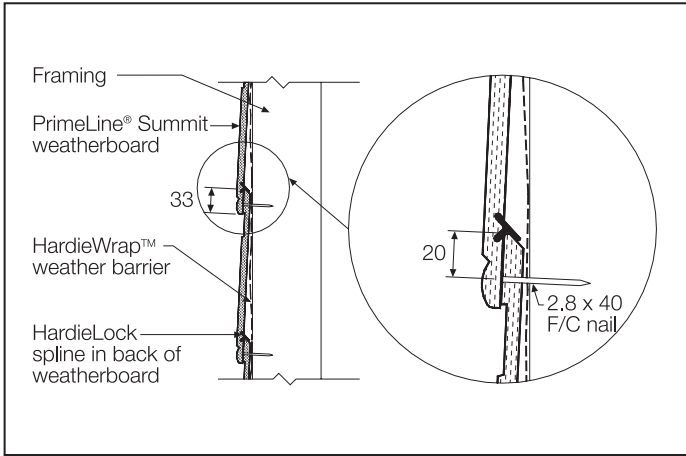


FIGURE 19 NAIL SPACINGS FOR PRIMELINE SUMMIT WEATHERBOARDS

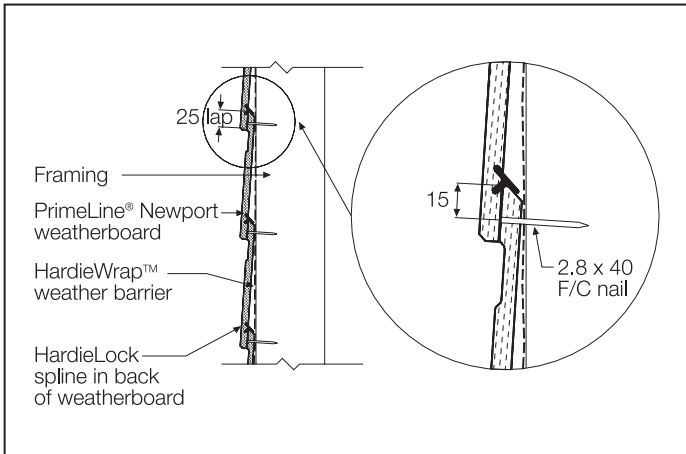


FIGURE 20 NAIL SPACING FOR PRIMELINE NEWPORT WEATHERBOARDS

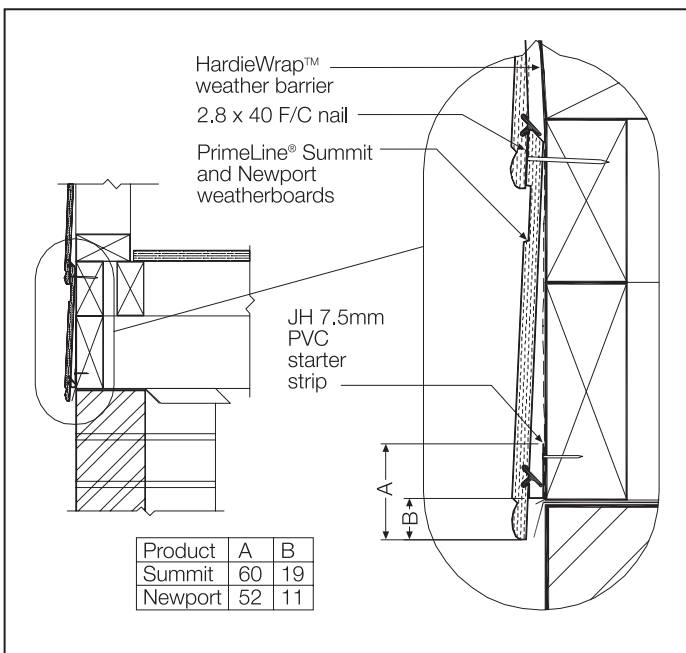
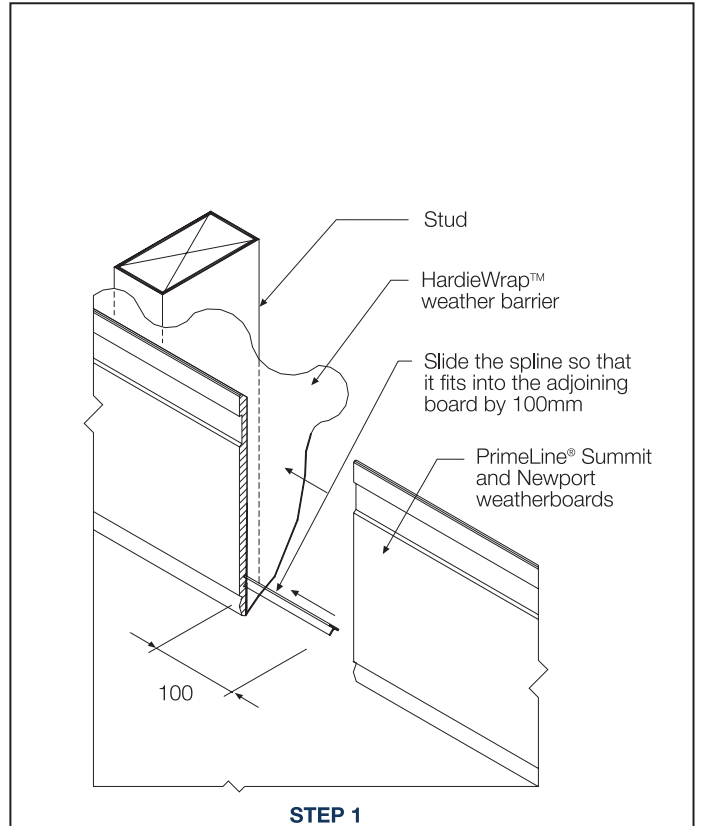
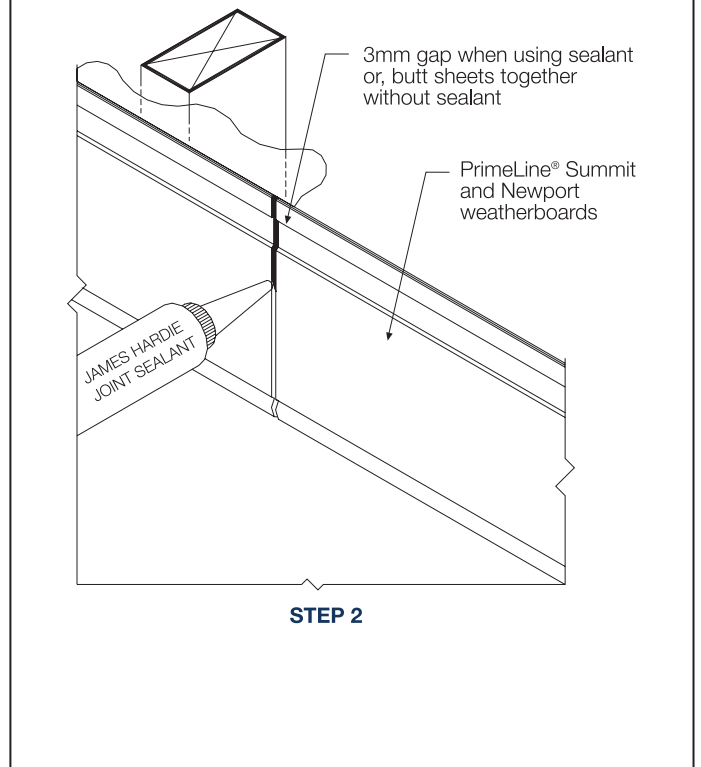


FIGURE 21 INSTALLING FIRST PRIMELINE SUMMIT OR NEWPORT WEATHERBOARD



STEP 1



STEP 2

FIGURE 22 OFF-STUD JOINTING

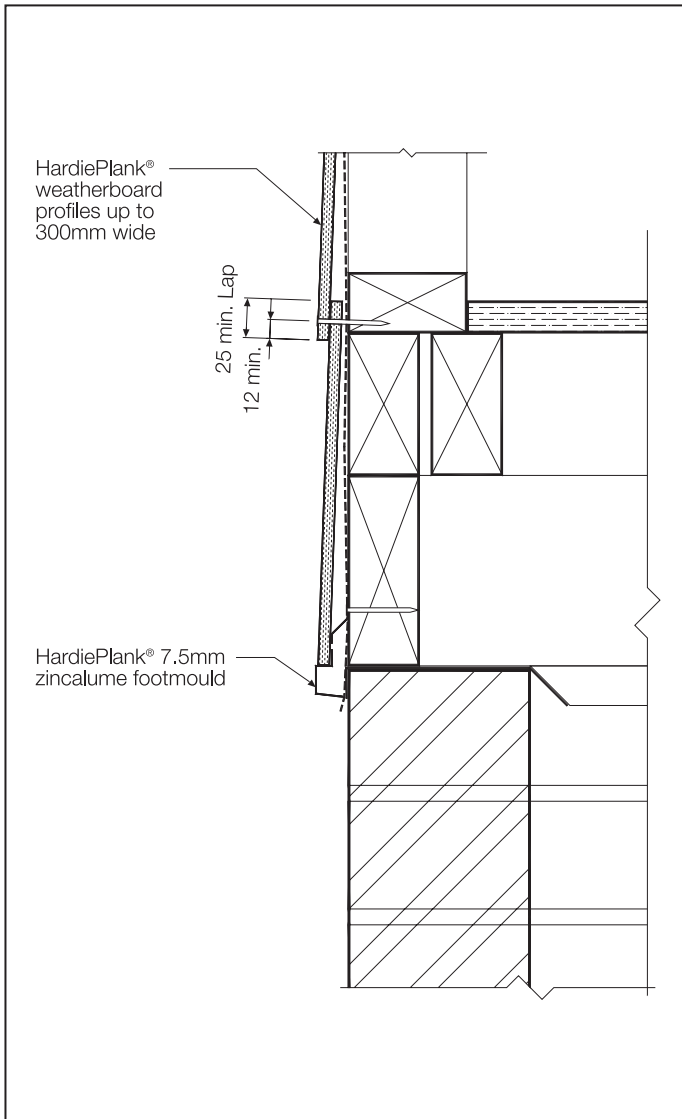


FIGURE 23 NAIL SPACINGS AND LAP FOR HARDIEPLANK WEATHERBOARD

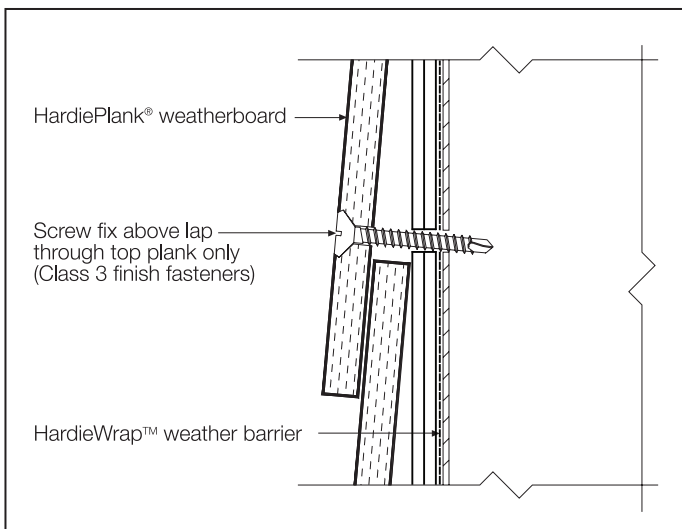


FIGURE 24 SCREW FIXING TO STEEL FRAME

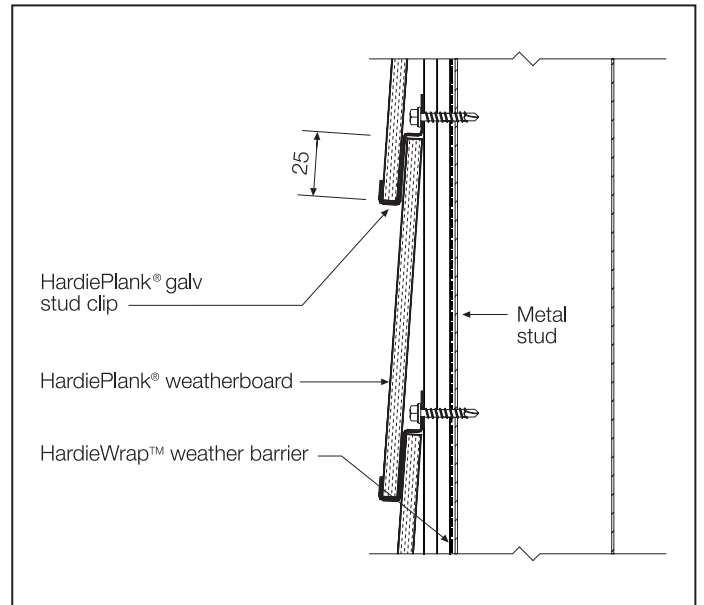


FIGURE 25 FIXING HARDIEPLANK STUD CLIPS

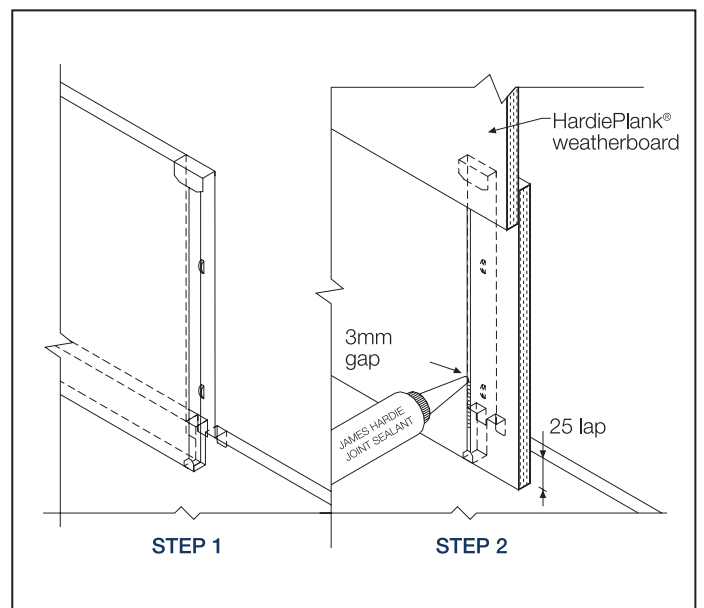


FIGURE 26 FITTING METAL SOAKER

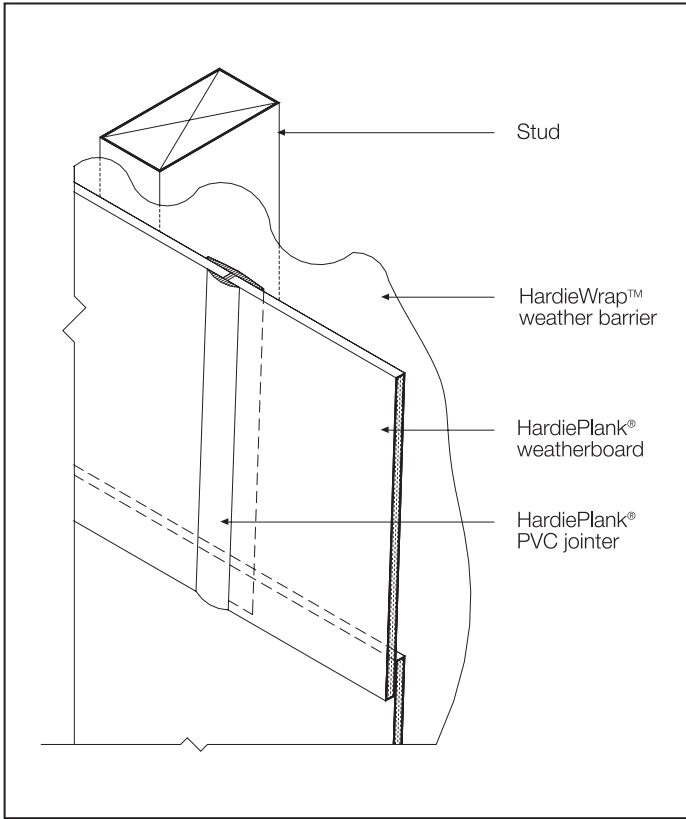


FIGURE 27 PVC JOINTING STRIP

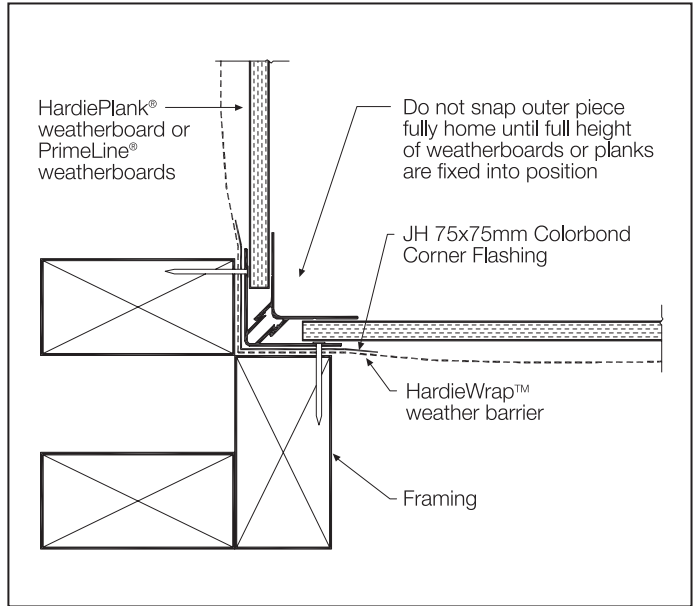


FIGURE 28 INTERNAL CORNER OPTION 1

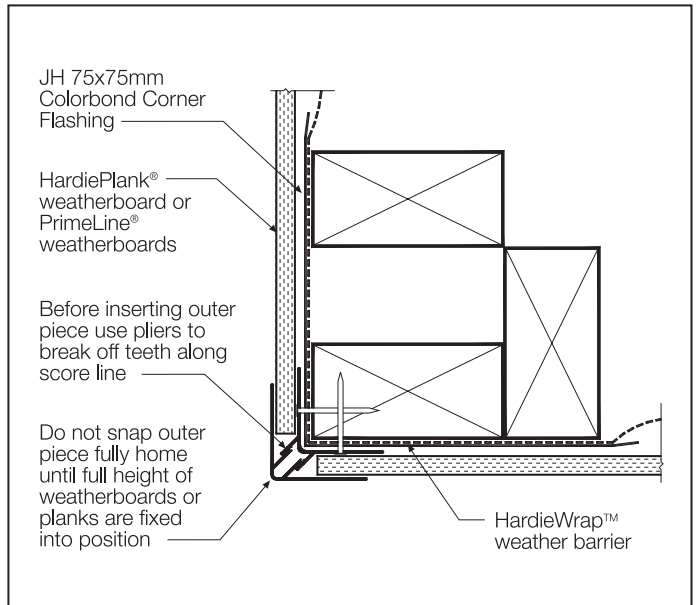


FIGURE 29 EXTERNAL CORNER OPTION 1

NOTE

For PrimeLine Heritage and Chamfer Weatherboards only, use pliers to break off teeth along score line and fix.

Warning: Do not snap pieces together until final attachment to wall.

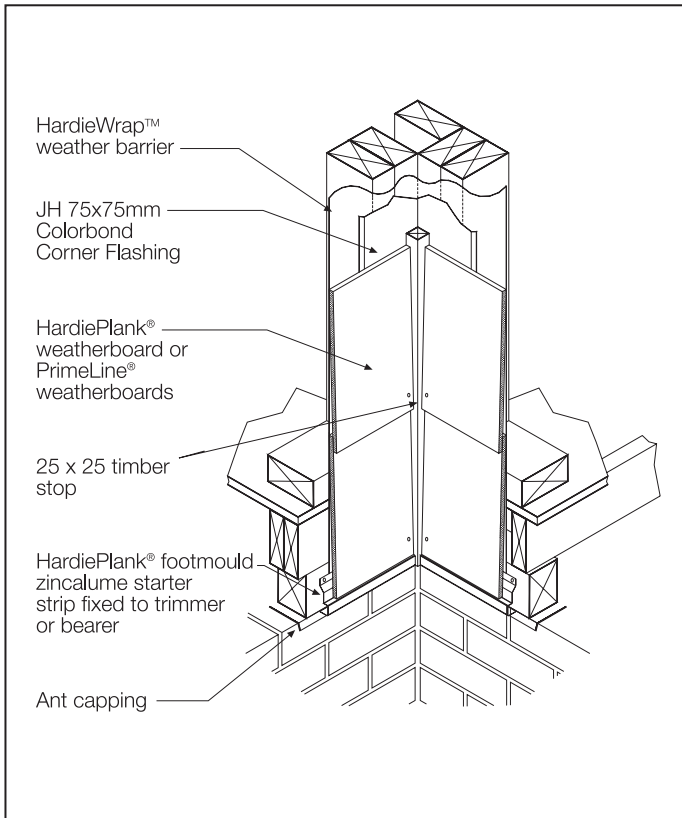


FIGURE 30 INTERNAL CORNER OPTION 2

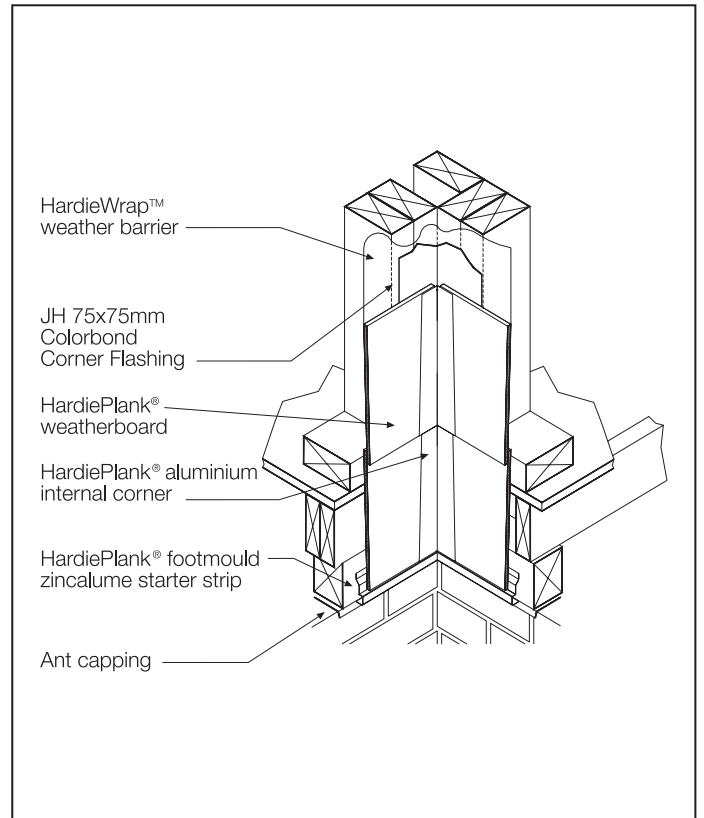


FIGURE 32 INTERNAL CORNER OPTION 3

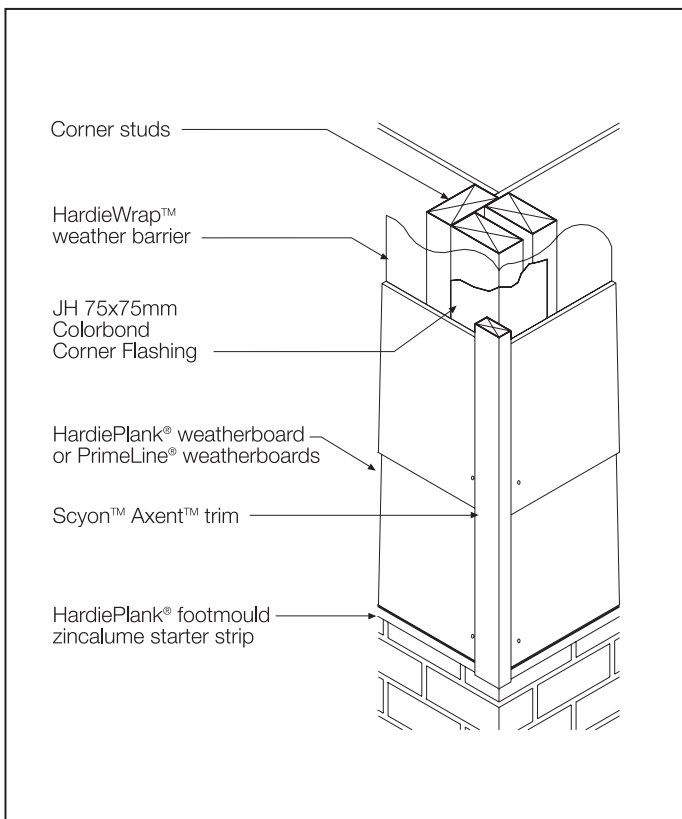


FIGURE 31 EXTERNAL CORNER OPTION 2

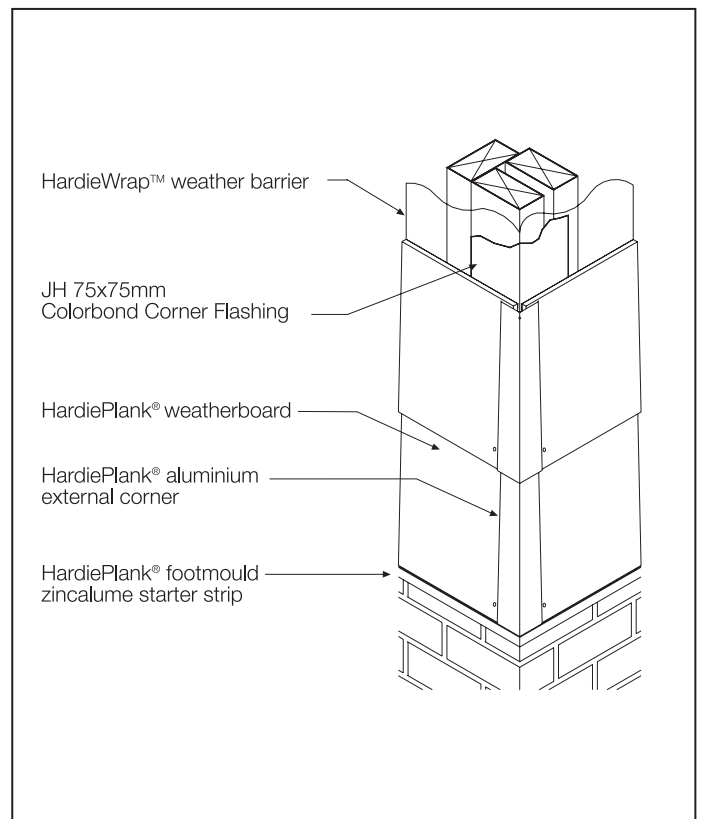


FIGURE 33 EXTERNAL CORNER OPTION 3

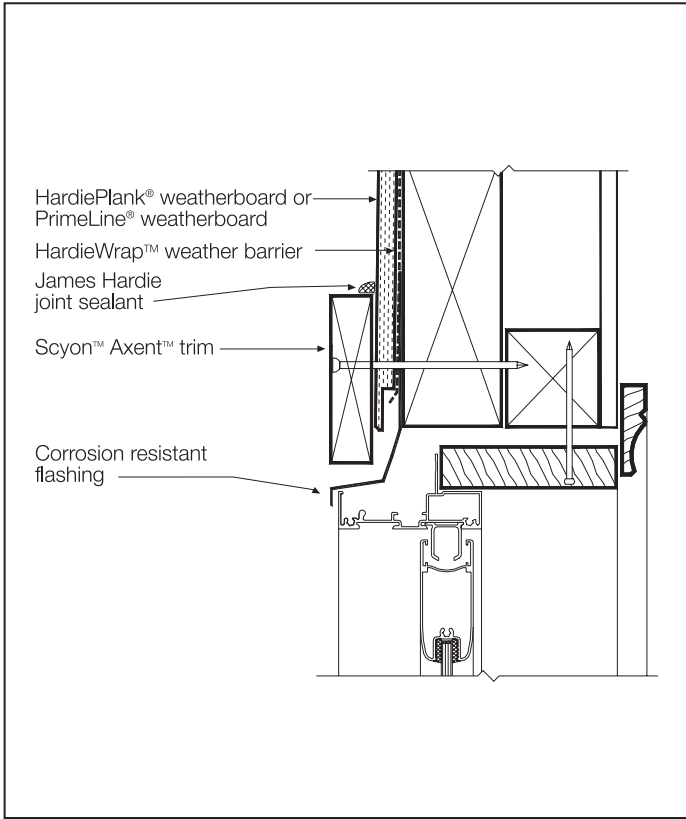


FIGURE 34 WINDOW HEAD DETAIL

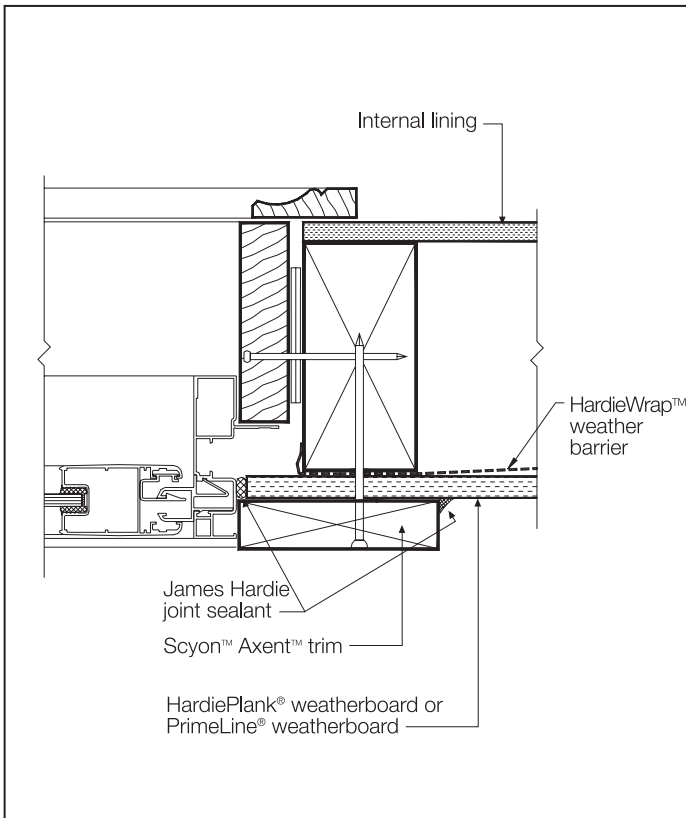


FIGURE 35 WINDOW JAMB DETAIL

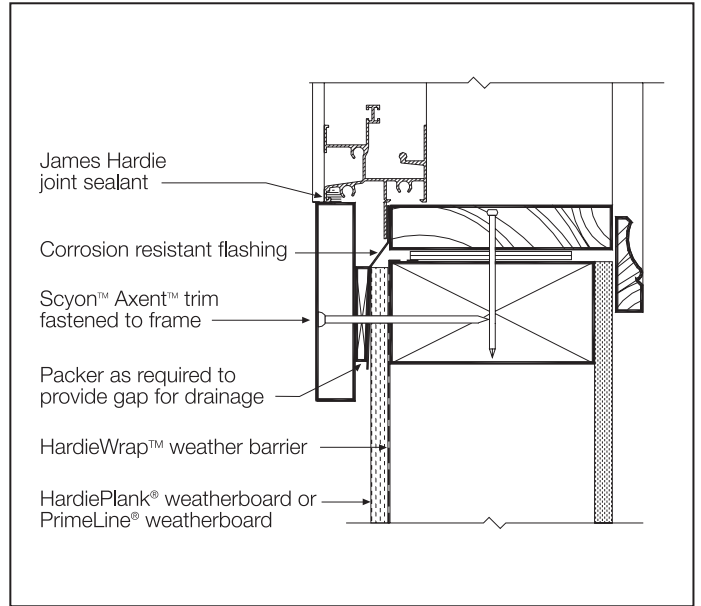


FIGURE 36 WINDOW SILL DETAIL

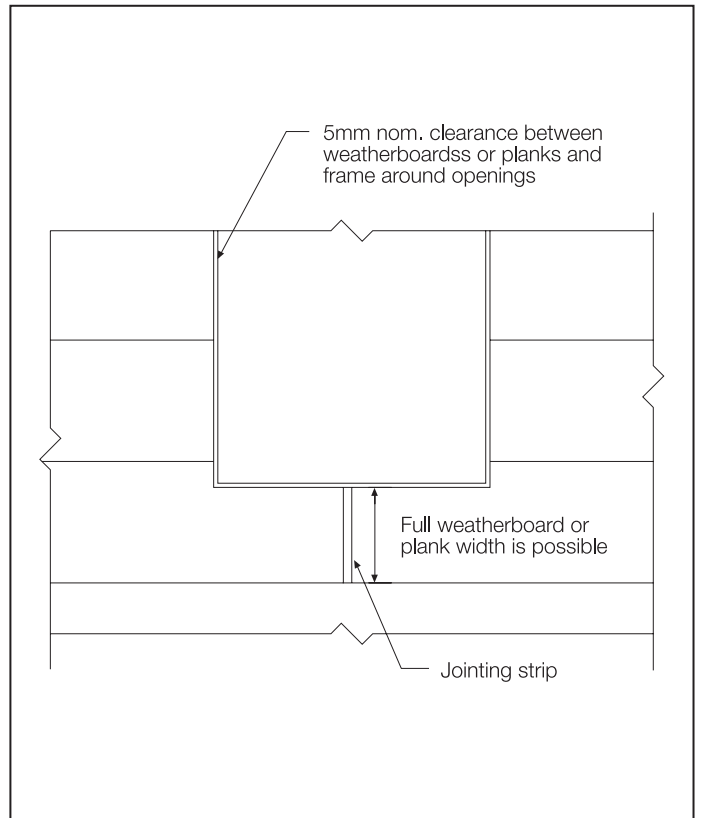


FIGURE 37 CUTTING AROUND OPENINGS

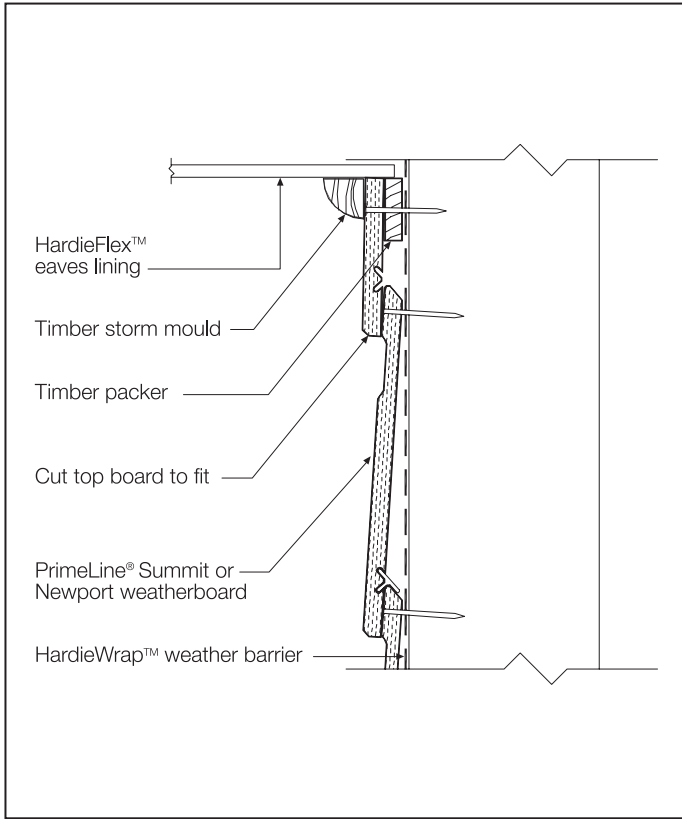


FIGURE 38 DETAIL AT EAVES

10 WARRANTY

PanelClad® and HardieFlex™ sheet

10 Year Warranty

PrimeLine® and HardiePlank™ weatherboard

25 Year Warranty

January 2012

James Hardie Australia Pty Limited ("James Hardie") warrants to the first purchaser of PrimeLine® and HardiePlank™ weatherboard and PanelClad® and HardieFlex™ sheet (**Product**) from James Hardie and the last purchaser of the Product prior to installation that, subject to compliance with the Conditions of Warranty below:

- for a period of 10 years from the date of purchase for PanelClad® and HardieFlex™ sheet and for a period of 25 years for PrimeLine® and HardiePlank™ weatherboard, the relevant Product will be free from defects due to defective factory workmanship or materials; and
- for a period of 10 years from the date of purchase for PanelClad® and HardieFlex™ sheet and for a period of 25 years from the date of purchase for PrimeLine® and HardiePlank™ weatherboard, the relevant Product will be resistant to damage from cracking, moisture, rotting, fire and termites to the extent set out in James Hardie's relevant published literature current at the time of installation; and
- for a period of 12 months from the date of purchase that the accessories supplied by James Hardie will be free from defects due to defective factory workmanship or materials.

For the purposes of this warranty, a "defect" in respect of the Product means a non-compliance with AS/NZS 2908.2:2000 Cellulose-cement products - Flat sheet.

CONDITIONS OF WARRANTY

This warranty is strictly subject to the following conditions:

- James Hardie will not be liable for breach of this warranty unless the claimant provides proof of purchase of the Product and makes a written claim to James Hardie at the address set out below, either within 30 days after the defect would have become reasonably apparent or, if the defect was reasonably apparent prior to installation, then the claim must be made prior to installation.
- the Product is subject to natural variation in finish as part of the manufacturing process. The builder/installer must ensure the Product meets aesthetic requirements before installation. Subject to the terms of this warranty, after installation of the Product, James Hardie is not liable for claims arising from aesthetic surface variations if such variations were, or would upon reasonable inspection have been, apparent prior to installation;
- this warranty cannot be relied upon by any other person and is not transferable;
- the Product must be installed and maintained strictly in accordance with the relevant James Hardie literature current at the time of installation and must be installed in conjunction with the components or products specified in the literature. To obtain copies of such literature go to or contact Ask James Hardie™ on 13 11 03. Further, all other products, including coating and jointing systems, applied to or used in conjunction with the Product must be applied or installed and maintained strictly in accordance with the relevant manufacturer's instructions and good trade practice;
- the project must be designed and constructed in strict compliance with all relevant provisions of the current regulations and standards;
- if the claimant chooses to rely upon this warranty then the claimant's sole remedy under this warranty for breach of this warranty is (at James Hardie's option) that James Hardie will either supply replacement Product, rectify the affected Product or pay for the cost of the replacement or rectification of the affected Product;
- In the circumstances where the Australian Consumer Law does not apply in respect of the purchase of the Product, James Hardie will not be liable for any losses or damages (whether direct or indirect) including property damage or personal injury, consequential loss, economic loss or loss of profits, arising in contract or negligence or howsoever arising. Without limiting the foregoing, James Hardie will not be liable for any claims, damages or defects arising from or in any way attributable to poor workmanship, poor design or detailing, settlement or structural movement and/or movement of materials to which the Product is attached, incorrect design of the structure, acts of God including but not limited to earthquakes,

cyclones, floods or other severe weather conditions or unusual climatic conditions, efflorescence or performance of paint/coatings applied to the Product, normal wear and tear, growth of mould, mildew, fungi, bacteria, or any organism on any Product surface or Product (whether on the exposed or unexposed surfaces);

- In the circumstances where the Australian Consumer Law does not apply in respect of the purchase of the Product, all warranties, conditions, liabilities and obligations other than those specified in this warranty are excluded to the fullest extent allowed by law;
- If meeting a claim under this warranty involves re-coating of Product, there may be slight colour differences between the original and replacement Product due to the effects of weathering and variations in materials over time and James Hardie is not liable for any such colour differences;
- In the circumstances where the Australian Consumer Law does not apply in respect of the purchase of the Product and therefore to this warranty, all expenses incurred as a result of claiming under this warranty are to be borne by the claimant.
- In the circumstances where the Australian Consumer Law does apply in respect of the purchase of the Product and therefore to this warranty, if James Hardie accepts or it is determined by James Hardie that the claimant has a valid claim under this warranty, James Hardie will bear the claimant's reasonable costs of claiming under this warranty. The claimant is responsible for all other costs of claiming under this warranty. All claims for such costs are to be notified to James Hardie at the address outlined below within 21 days from when the claimant first makes a claim under this warranty.

DISCLAIMER

The recommendations in James Hardie's literature are based on good building practice but are not an exhaustive statement of all relevant information and are subject to conditions (d), (e), (g) and (h) above. Further, as the successful performance of the relevant system depends on numerous factors outside the control of James Hardie (e.g. quality of workmanship and design), James Hardie shall not be liable for the recommendations in that literature and the performance of the relevant system, including its suitability for any purpose or ability to satisfy the relevant provisions of the regulations and standards.

IMPORTANT NOTE

If you acquire goods manufactured by James Hardie as a consumer according to the Australian Consumer Law, our goods come with guarantees that cannot be excluded under the Australian Consumer Law. You are entitled to a replacement or refund for a major failure and compensation for any other reasonably foreseeable loss or damage. You are also entitled to have the goods repaired or replaced if the goods fail to be of acceptable quality and the failure does not amount to a major failure.

Any rights a consumer may have under this warranty are in addition to other rights and remedies of a consumer under a law in relation to the goods to which this warranty relates. Nothing in this document shall exclude or modify any legal rights a customer may have under the Australian Consumer Law or otherwise which cannot be excluded or modified at law.

Contact details if you wish to make a claim under this warranty: For more information or to make a claim under this warranty please Ask James Hardie™ on 13 11 03, visit www.jameshardie.com.au or www.accel.com.au, email James Hardie via our website or write to James Hardie at:

James Hardie Australia Pty Ltd
10 Colquhoun Street Rosehill NSW 2142
PO Box 70 Parramatta NSW 2124

© Copyright 2019 James Hardie Australia Pty Ltd. ABN 12 084 635 558. ™ and ® denotes a trademark or registered mark owned by James Hardie Technology Limited

NOTES

NOTES

NOTES



**For information and advice
call 13 11 03 | jameshardie.com.au**

Australia May 2019



© 2019 James Hardie Australia Pty Ltd ABN 12 084 635 558
™ and © denote a trademark or registered mark owned by James Hardie Technology Limited.