

**Wallpro**<sup>TM</sup>  
TRADE TOOLS



The image shows a Wallpro Extenda Sander, a long-reach sanding tool. It features a black telescopic extension tube, a grey motor housing with a black flexible hose attached to the top, and a grey handle with a black grip. The tool is shown against a background of white line art depicting a room with a window and a desk.

# Extenda Sander<sup>TM</sup>

**OPERATING  
INSTRUCTIONS**

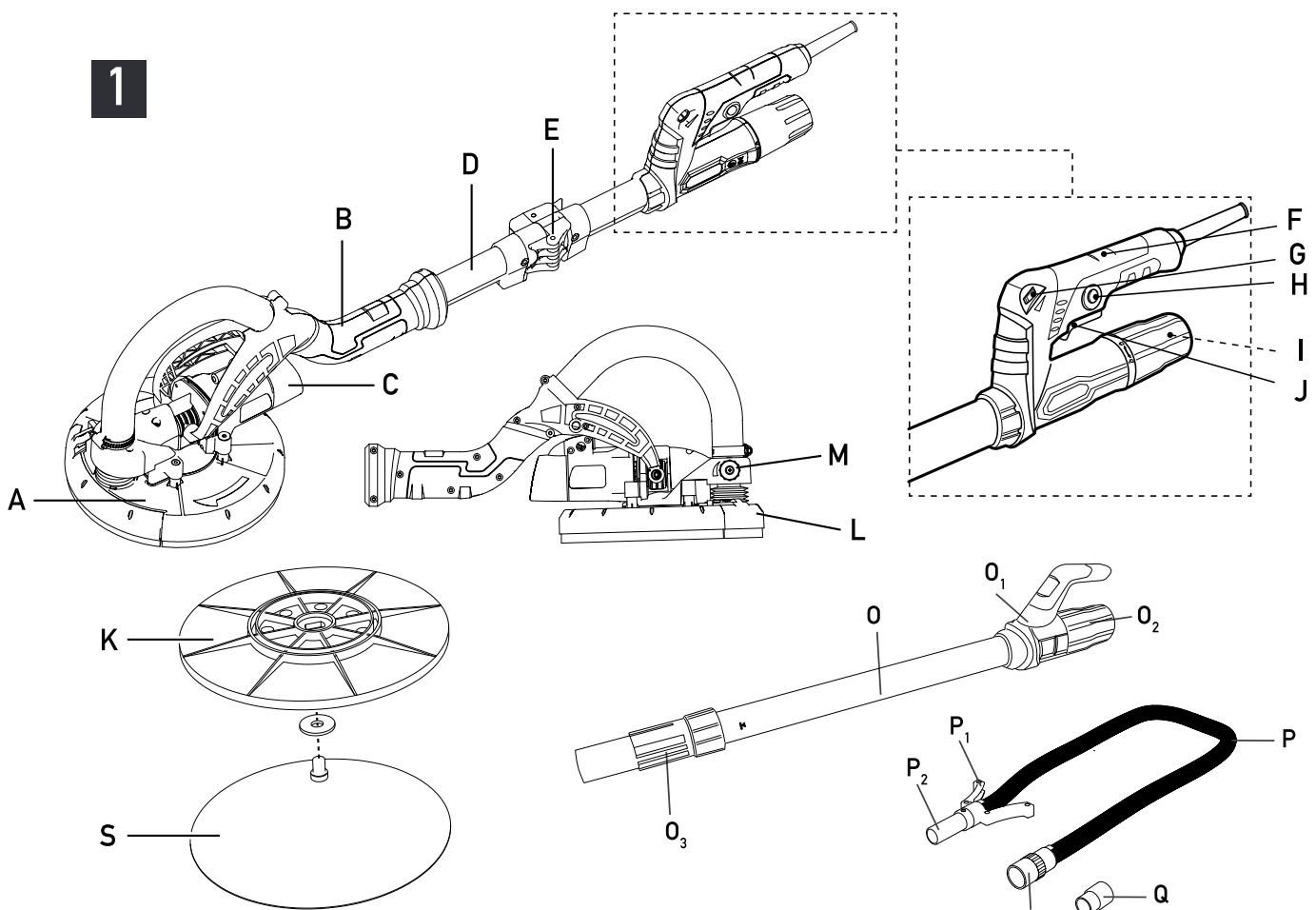
MODEL PS-600

# Technical Specifications

<b>Model No</b>	<b>PS-600</b>
<b>Voltage</b>	<b>230-240V~,50Hz</b>
<b>Power</b>	<b>600W</b>
<b>Rotation Speed ○</b>	<b>600-1500 min<sup>-1</sup></b>
<b>Round Sanding Pad Ø</b>	<b>225mm</b>
<b>Protection class</b>	<b>II □</b>

# View of the Major Components & Accessories

1



- A - Round sanding head
- B - Main handle
- C - Motor housing
- D - Aluminium tube
- E - Folding lock
- F - Hand grip
- G - Electronic speed control wheel
- H - Lock On button
- I - Dust extraction outlet(with locking sleeve)
- J - Switch
- K - Round sanding pad (hook & loop system)
- L - Half moon door

- M- Suction control knob
- O - Extension shaft
  - 1 Rear handle
  - 2 Dust extraction outlet (with adjusting sleeve)
  - 3 Sleeve
- P - Vacuum hose
  - 1 Stand
  - 2 Connector(pre-assembled)(38mm)
  - 3 Vacuum adaptor(pre-assembled)(47mm)
- Q - Vacuum adaptor(pre-assembled)(35mm)
- R - Hex wrench S5
- S - Round sanding disc

# General Safety Rules

**⚠️ WARNING!** Read all safety warnings and all instructions. *Failure to follow the warnings and instructions may result in electric shock, fire and/or serious injury.*

Save all the warnings and instructions for future reference.

*The term "power tool" in the warnings refers to your mains-operated (corded) power tool or battery-operated (cordless) power tool.*

## 1. WORK AREA SAFETY

- a) Keep work area clean and well lit. *Cluttered or dark areas invite accidents.*
- b) Do not operate power tools in explosive atmospheres, such as in the presence of flammable liquids, gases or dust. *Power tools create sparks which may ignite the dust or fumes.*
- c) Keep children and bystanders away while operating the power tool. *Distractions can cause you to lose control.*

## 2. ELECTRICAL SAFETY

- a) Power tool plugs must match the outlet. Never modify the plug in any way. Do not use any adapter plugs with earthed (grounded) power tools. *Unmodified plugs and matching outlets will reduce the risk of electric shock.*
- b) Avoid body contact with earthed or grounded surfaces such as pipes, radiators, ranges and refrigerators. *There is an increased risk of electric shock if your body is earthed or grounded.*
- c) Do not expose power tools to rain or wet conditions. *Water entering a power tool will increase the risk of electric shock.*
- d) Do not abuse the cord. Never use the cord for carrying, pulling or unplugging the power tool. Keep cord away from heat, oil, sharp edges or moving parts. *Damaged or entangled cords increase the risk of electric shock.*
- e) When operating a power tool outdoors, use an extension cord suitable for outdoor use. *Use of a cord suitable for outdoor use reduces the risk of electric shock*
- f) If operating a power tool in a damp location is unavoidable, use the residual current device (RCD) protected supply. *Use of an RCD reduces the risk of electric shock.*

## 3. PERSONAL SAFETY

- a) Stay alert, watch what you are doing and use common sense when operating a power tool. Do not use a power tool while you are tired or under the influence of drugs, alcohol or medication. *A moment of inattention while operating power tools may result in serious personal injury.*
- b) Use personal protective equipment. Always wear eye protection. *Protective equipment such as dust masks, non-skid safety shoes, hard hat or hearing protection used for appropriate conditions will reduce personal injuries.*
- c) Prevent unintentional starting. Ensure the switch is in the off position before connecting to power source and/or battery pack, picking up or carrying the tool. *Carrying power tools with your finger on the switch or energising power tools that have the switch on invites accidents.*
- d) Remove any adjusting key or wrench before turning the power tool on. *A wrench or key left attached to a rotating part of the power tool may result in personal injury.*
- e) Do not overreach. Keep proper footing and balance at all times. *This enables better control of the power tool in unexpected situations.*
- f) Dress properly. Do not wear loose clothing or jewellery. Keep your hair, clothing and gloves away from moving parts. *Loose clothes, jewellery or long hair can be caught in moving parts.*
- g) If devices are provided for the connection of dust extraction and collection facilities, ensure these are connected and properly used. *Use of dust collection can reduce dust related hazards.*

## General Safety Rules (continued)

### 4. POWER TOOL USE AND CARE

- a) Do not force the power tool. Use the correct power tool for your application. *The correct power tool will do the job better and safer at the rate for which it was designed*
- b) Do not use the power tool if the switch does not turn it on and off. *Any power tool that cannot be controlled with the switch is dangerous and must be repaired.*
- c) Disconnect the plug from the power source and/or the battery pack from the power tool before making any adjustments, changing accessories or storing power tools. *Such preventive safety measures reduce the risk of starting the power tool accidentally.*
- d) Store idle power tools out of the reach of children and do not allow persons unfamiliar with the power tool or these instructions to operate the power tool. *Power tools are dangerous in the hands of untrained users.*
- e) Maintain power tools. Check for misalignment or binding of moving parts, breakage of parts and any other conditions that may affect the power tools operation. If damaged, have the power tool repaired before use. *Many accidents are caused by poorly maintained power tools.*
- f) Keep cutting tools sharp and clean. *Properly maintained cutting tools with sharp cutting edges are less likely to bind and are easier to control.*
- g) Use the power tool accessories and tool bits etc. in accordance with these instructions, taking into account the working conditions and the work to be performed. *Use the power tool for operations different from those intended could result in a hazardous situation.*

### 5. SERVICE

- a) Have your power tool serviced by a qualified repair person using only identical replacement parts. *This will ensure that the safety of the power tool is maintained.*

## Specific Safety Rules

- Keep hands away from rotating sanding head area at all times!
- Prolonged breathing of airborne dust from plasterboard sanding may effect respiratory function or cause serious respiratory illness. To reduce exposure to dust always wear approved protective equipment\*, ensure Extenda Sander is connected to a vacuum approved for fine dust extraction and operate the tool in a well ventilated area.
  - \*Wear Eye Protection to AS/NZS1337.
  - \*Wear Respiratory Protection to AS/NZS1716.
  - \*Wear Hearing Protection to AS/NZS1270
- Sanding LEAD-BASED paint is extremely toxic and should not be attempted. Only allow professionals with special training and equipment to perform this task.
- Maintain proper footing and balance at all times. Do not overreach. Use proper scaffolding.
- Always wear appropriate safety equipment when operating.
- Important: After completing sanding, switch off the switch and wait for the coasting sanding head to stop completely before putting the tool down.
- Never operate the tool in an area with flammable solids, liquids, or gases. Sparks from the commutator carbon brushes could cause a fire or explosion.
- There are certain applications for which this tool was designed. The manufacturer strongly recommends that this tool NOT be modified and/or used for any application other than for which it was designed. If you have any questions relative to its application DO NOT use the tool until you have written to the manufacturer and have been advised.

- Use the machine with both hands at all times. Loss of control can cause personal injury.
- Keep power supply cord clear from the working range of the machine. Always lead the cable away behind you.
- Immediately switch off the machine if unusual vibrations or if other malfunctions occur. Check the machine in order to find out the cause.
- Do not use discs with a speed rating that less than 1600 RPM on this grinder

## Functional Description

This Electric Plasterboard Sander is specially designed for the most efficient sanding of plasterboard or plaster walls and ceilings for both new construction and renovation work. It is designed to work in conjunction with a vacuum cleaner for minimum dust and best sanding results. The pivoting sanding head allows excellent results with minimum time and effort.

### Electrical connection

The network voltage must conform to the voltage indicated on the tool name plate. Under no circumstances should the tool be used when the power supply cable is damaged. A damaged cable must be replaced immediately by an authorised Customer Service Centre. Do not try to repair the damaged cable yourself. The use of damaged power cables can lead to an electric shock.

### Extension cable

If an extension cable is required, it must have a sufficient cross-section so as to prevent an excessive drop in voltage or overheating. Only use extension cords with a cross section area of 1.5sq mm or greater.

### Unpacking

Carefully remove the tool and all loose items from the shipping container. Retain all packing materials until after you have inspected and satisfactorily operated the machine.

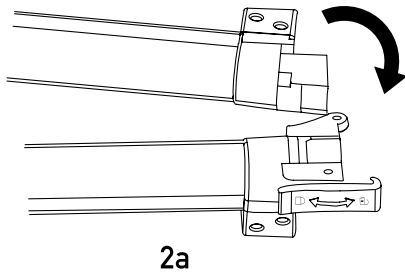
### Carton Contents

1. Extenda Sander
2. Vacuum cleaner hose
3. Instruction manual

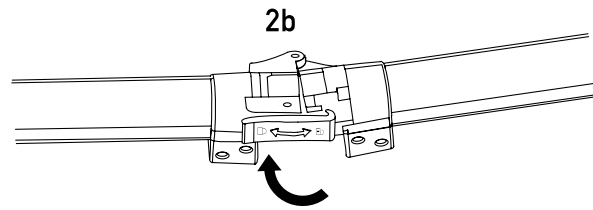
**DO NOT OPERATE THIS TOOL UNTIL YOU READ AND UNDERSTAND THE ENTIRE INSTRUCTION MANUAL**

## Basic Operation (continued)

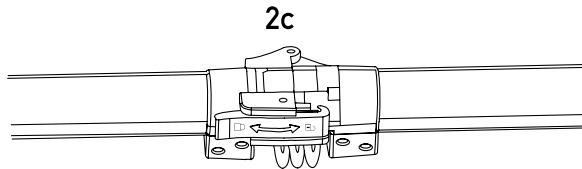
2



2a



2b

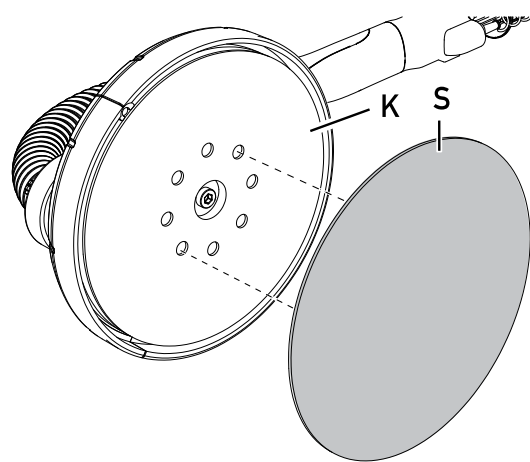
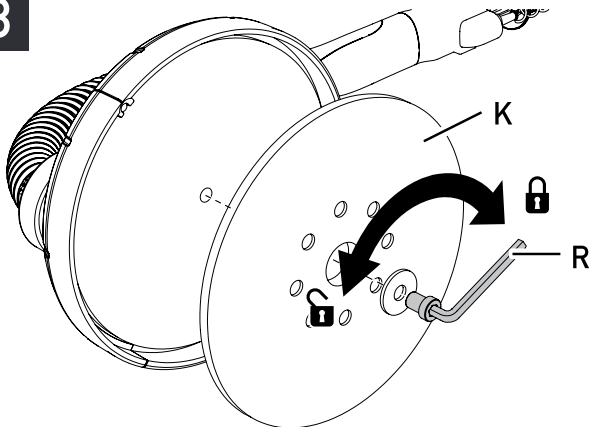


2c

### • Shaft 2

- Fold the front and back part together.(2a)
- Push the folding lock H to the right position and keep the tip adjacent to the handle.(2b)
- Press the folding lock H towards the handle until the end. (2c) Unfold the handle by pushing the folding lock to the inside.

3



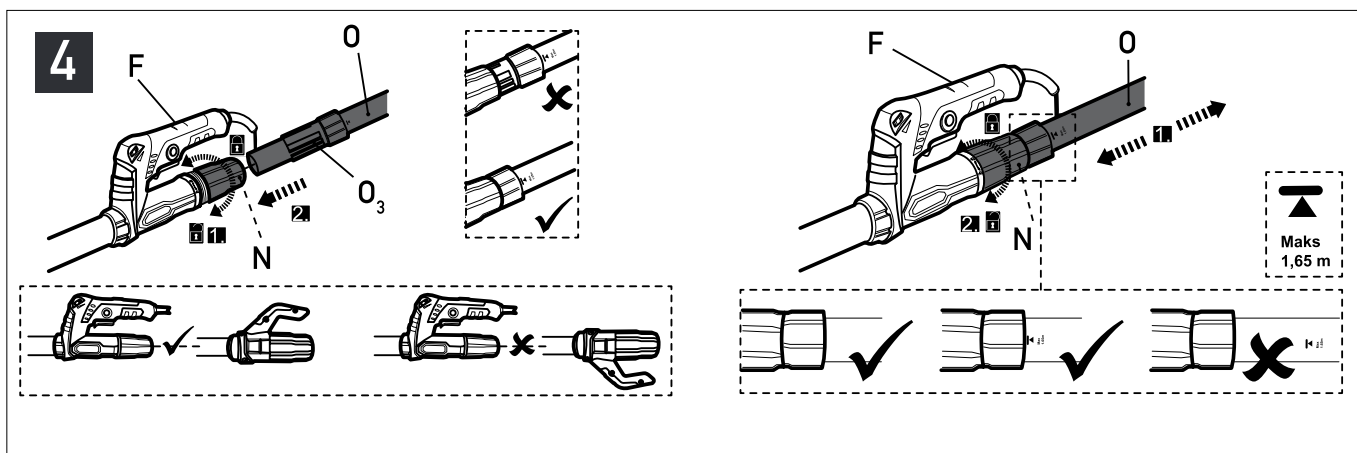
### • Replace sanding pad 3

- Insert the hex wrench (size 5) into the hexagonal screw bolt on the sanding block.
- Hold the sanding pad firmly, and then turn the wrench counter clockwise to dismount the pad.
- Install new sanding pad by tightening the bolt.

**⚠ WARNING!** Only install the specified sanding pad on the machine. In order to ensure optimal performance, the machine should be run at slightly lower speed for several minutes to make the pad fit the sealing surface perfectly.

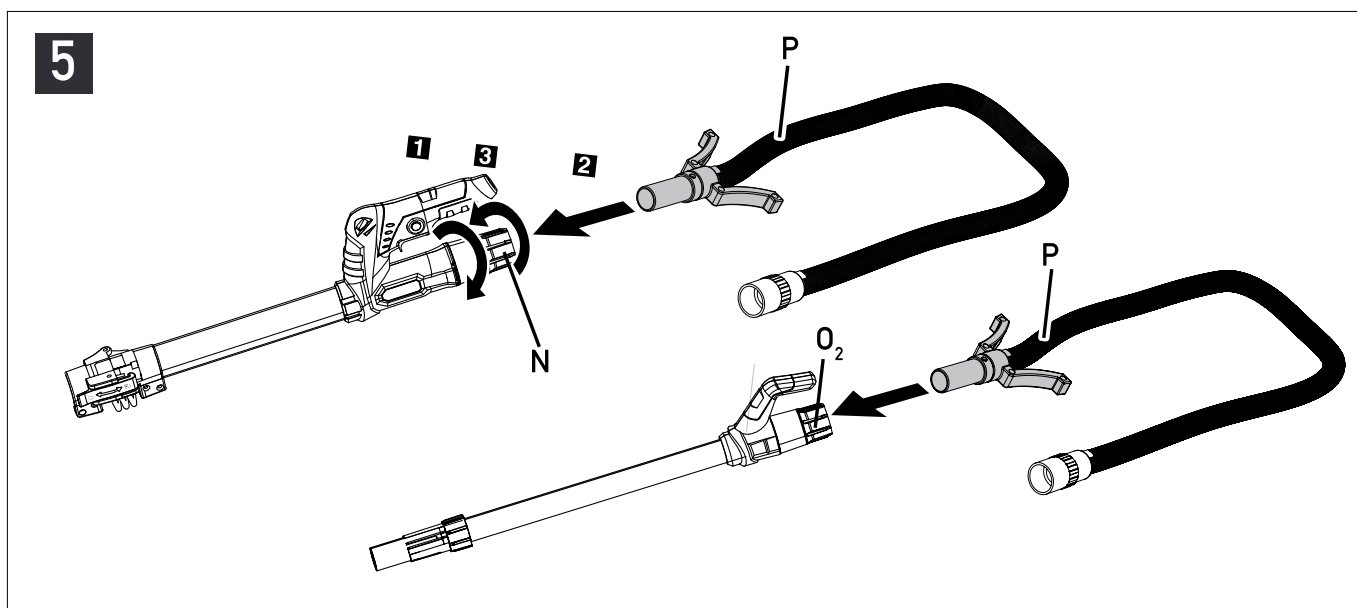
### • Attaching and changing sanding disc 3

- Place the sanding disc in the centre of the sanding pad and press on. Wallboard Tools Super Mesh range is preferred.
- For round sanding pad only: conduct a test run to check that the sanding disc is clamped in the centre.



• Extension shaft (optional) **4**

- Use the extension shaft (O) according to the intended operation for higher work surface.
- Loosen the sleeve on the dust extraction outlet (N) of the upper shaft (F). Do not remove the sleeve from the outlet.
- Align the rear handle (O<sub>1</sub>) with the main handle (F) and insert the sleeve (O<sub>2</sub>) on the extension shaft (O) into the outlet (N) with a twist motion all the way to the stop.
- Adjust the length of the extension shaft (O) if necessary. Pay attention to the marking "max 1.65m" on the extension shaft. Tighten the sleeve (N) after assembling/adjusting the extension shaft.

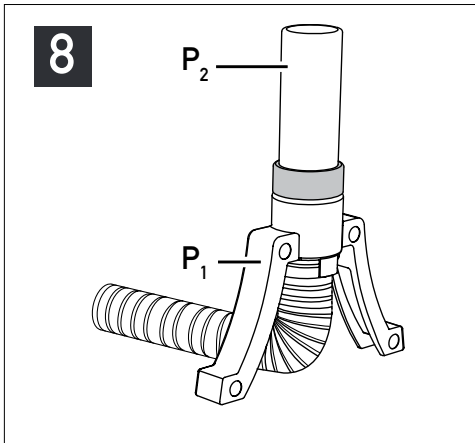


• Dust suction **5**

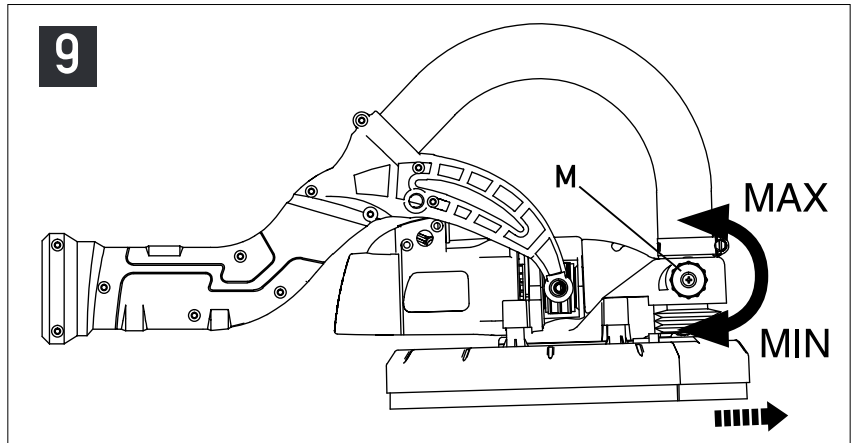
- Loosen locking knob for length adjustment (N) by turning it in the direction of the unlocking symbol on the tool handle.
- Insert Vacuum hose (P) into the end of the tool handle as illustrated.
- Tighten Locking knob for length adjustment (N) by turning it in the direction of the locking symbol on the tool handle.
- Connect the Vacuum hose with the Ø 47 mm adapter (P<sub>2</sub>) directly to an industrial vacuum cleaner (remove vacuum cleaner hose first).
- One may also connect vacuum hose with one of the 3 adapters to an industrial vacuum cleaner without removing the vacuum cleaner hose.



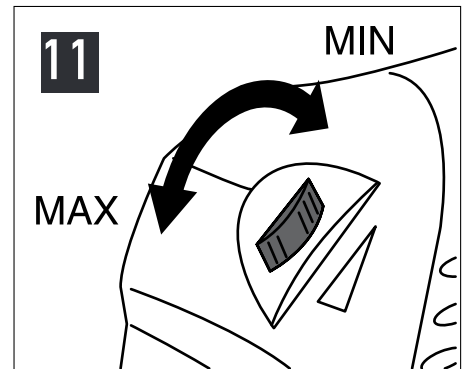
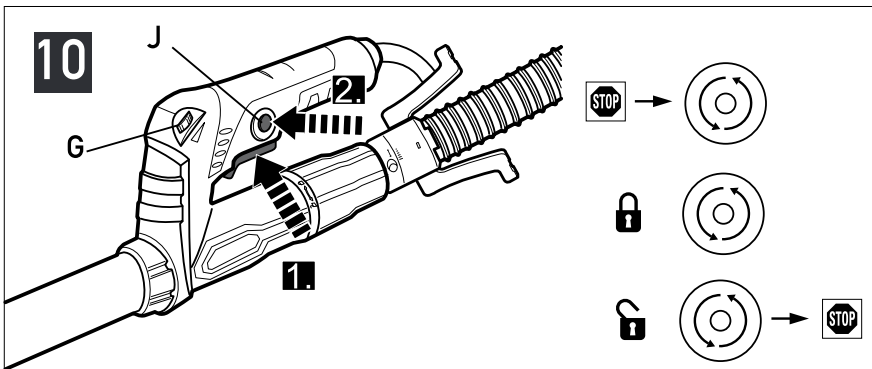
## Basic Operation



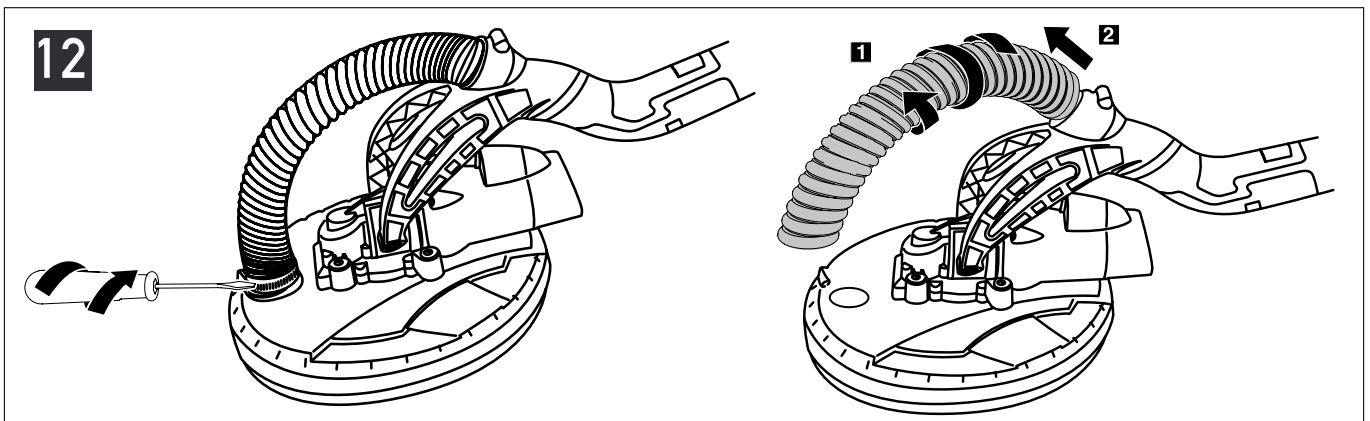
- Hose stand **8**
- Vacuum hose stand (P<sub>1</sub>) prevents the hose from damage when putting the tool aside during work breaks.



- Suction control and Half Moon door **9**
- To increase suction and reduce sander weight, turn Suction Control Knob (M) anti-clockwise.
- To run sander closely into internal corners, remove the Half Moon Door (L).



- Switching the machine on and off **10 11**
    - Turn on/off the drywall sander by switch (J) Electronic speed control.
    - Adjust the speed by turning the speed wheel (G), user can choose different speeds for different sanding surfaces.
    - Constant speed control will keep the machine running most efficiently.
- Do not overload by excessive pressure.



- Replacing small vacuum hose **12**
  - Unscrew hose clamp with slotted screwdriver from sanding head.
  - Unscrew hose from opposite end.
  - Install new hose in reverse steps.

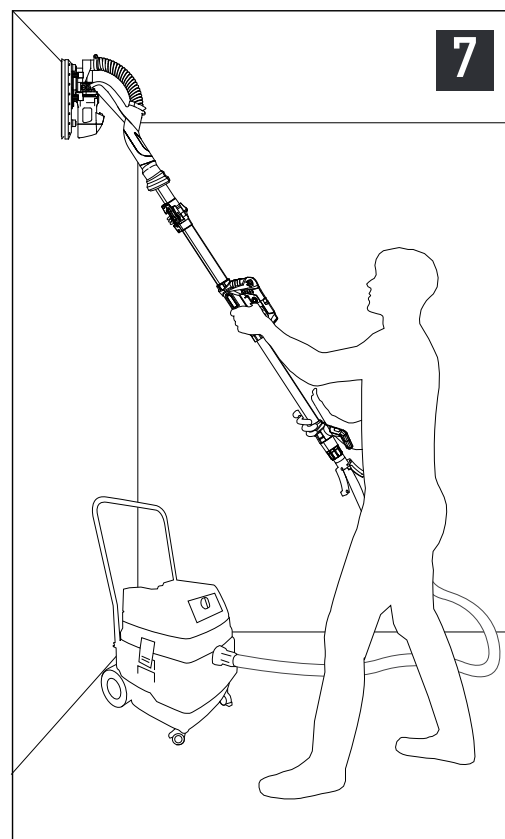
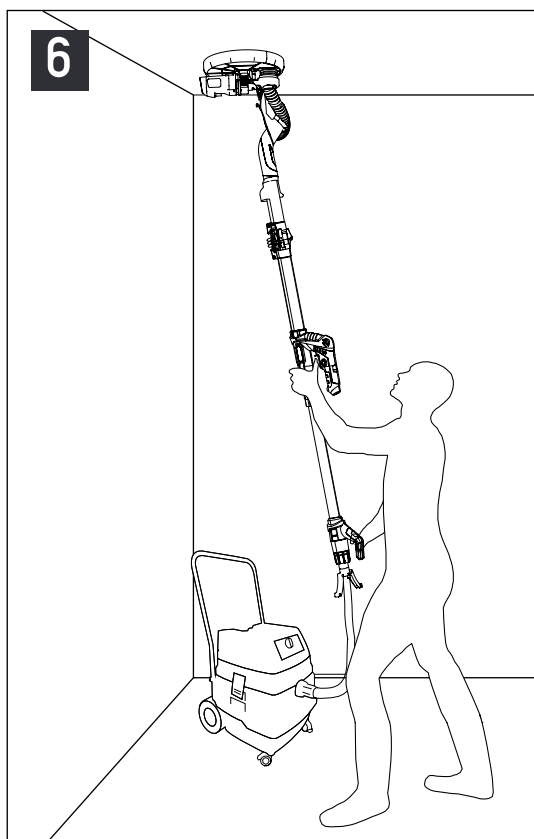


## Sanding Operation

- Ensure all power switches are turned to the “off” position before plugging the tool into mains power to prevent the tool automatically starting up.
- Connect the Extenda Sander hose to the dust extractor socket - ensuring a firm fit.
- Plug the sander's power cord into the socket on the dust extractor.
- Make sure the switch on the dust extractor is in the “Auto” position - this ensures the dust extractor will switch on with the sander.
- Check the foam adaptor is in good condition.
- Attach desired sanding disc to the foam adaptor.
  - Ensure the sanding disc is 225mm in diameter.
  - Centre the sanding disc on the foam adaptor pad.
- Connect to appropriate power supply, switch on mains power.
- Place the head of the sander on the top edge of the joint.
- Switch on using the power switch - ensure the dust extractor starts up with the sander.
- Without leaving the head of the sander stationary, begin sanding.
  - Using gentle even pressure, run the sander along the top edge of the joint. Lift sander head off the wall and place on the bottom edge of the joint. Run the sander along the bottom edge of the joint then lift the sander head off the wall. Run the sander over the centre of the joint.

! Use the machine with both hands at all times - loss of control can effect the sanding finish or cause injury.

! Keep the head of the sander flat on the sanding surface at all times to create a smooth and even sanding finish.



## Sanding Operation (continued)

### • Round sanding head **6**

- Begin sanding and carefully contact the work surface as lightly as possible - just enough to keep the sanding head flat against the surface.
- The pivot point in the sanding head allows the sanding disc to follow the contours of the work surface.
- The best technique is to use overlapping sweeps and keep the head in constant motion. Never stop too long in any one place or there will be swirl marks. With experience it will be very easy to create excellent results.



Ensure that the sanding disc you are using is suited to the task. Overly coarse grit paper may remove material too quickly to control. While overly fine grit paper may clog too often and not remove enough material.



Take care to avoid sharp projections and nails, etc. This will damage the sandpaper and probably damage the sponge pad as well.

## Maintenance / Service

- Store the tool in its protective case in a dry and secure place, out of reach of children.
- Always keep tool and cord clean (especially ventilation slots).



Do not attempt to clean ventilation slots by inserting pointed objects through openings



Disconnect the plug before cleaning

## Environment

Do not dispose of electric tools, accessories and packaging together with household waste material (only for EU countries)

- In observance of European Directive on waste of electric and electronic equipment and its implementation in accordance with national law, electric tools that have reached the end of their life must be collected separately and returned to an environmentally compatible recycling facility



## Parts Diagram and List (continued)

No	Parts Name	Qty
PS6-1	Screw	1
PS6-2	Washer	1
PS6-3	Hook & Loop Adaptor	1
PS6-4	Output Shaft	1
PS6-5	Flat Key	1
PS6-6	Oil Seal	1
PS6-7	Collar	1
PS6-8	Ball Bearing	1
PS6-9	Screw M4*12	8
PS6-9A	Screw M4*10	4
PS6-10	Bearing Cover (big)	1
PS6-10A	Paper Washer	1
PS6-11	End Gear	1
PS6-12	Circlip	1
PS6-13	Ball Bearing	2
PS6-15	Bearing Cover (small)	1
PS6-16	Ball Bearing	1
PS6-16A	Circlip	1
PS6-17	Main drive Shaft	1
PS6-17A	Washer	1
PS6-18	Semi-circular Key	1
PS6-19	Tapered Gear	1
PS6-19A	Washer	1
PS6-20	Collar	1
PS6-21	Gear Box	1
PS6-22	Middle Cover	1
PS6-22A	Spring (motor)	1
PS6-22B	Wool Cap	1
PS6-22C	Washer	1
PS6-23	Rotor	1
PS6-23A	Anti-dust Ring	1
PS6-24	Ball Bearing	1
PS6-25	Anti-wind Ring	1
PS6-26	Screw	2
PS6-26A	Circular Button $\phi 4.2$	1

No	Parts Name	Qty
PS6-27	Stator	1
PS6-27A	Sleeve	1
PS6-28	Motor Housing	1
PS6-28A	Flat Washer	4
PS6-28B	Flexible Washer	4
PS6-29	Screw	4
PS6-30	Brush Holder	2
PS6-31	Carbon Brush	2
PS6-32	Screw	2
PS6-33	Coil Spring	2
PS6-34	Back Cover	1
PS6-34A	Screw	12
PS6-35	Screw	11
PS6-36	Press Block (on motor housing)	1
PS6-37	Horn Damping	2
PS6-38	Rubber Sleeve (Large)	2
PS6-39	Screw Pin	2
PS6-40	Flexible Sleeve	1
PS6-41	Bush Skirt (main)	1
PS6-42	Press plate (for sanding pad)	1
PS6-42A	Press Plate (for sleeve)	1
PS6-42B	Side Cover	1
PS6-42C	Bush Skirt (small section)	1
PS6-43	Sanding Pad Cover	1
PS6-44	Compressed Spring	4
PS6-45	Washer	4
PS6-46	Waved Sleeve	1
PS6-47	End Block (for dust collection cover)	1
PS6-47A	Suction Power Adjusting Ring	1
PS6-47B	Connection Shaft	1
PS6-47C	Steel Ball	2
PS6-47D	Steel Ball Spring	2
PS6-47E	Flygate	1
PS6-48	Dust Collection Cover	1
PS6-49	Hoop 25-38	1















## Parts Diagram and List (continued)

No	Parts Name	Qty
PS6-50	Hose 350	1
PS6-51	Cable Sleeve (Small)	2
PS6-52	Rubber Cover (Small)	1
PS6-53	Handle Stand (Right)	1
PS6-54	Connector $\varnothing 28$	1
PS6-55	Soft Plastic Pipe $\Phi 28$	1
PS6-56	Elliptical Connector	1
PS6-57	Handle Stand (Left)	1
PS6-58	Main Handle (Left)	1
PS6-59	Electric Sensor	2
PS6-60	Electric Capacity	1
PS6-61	Electronic Speed Control Plate	1
PS6-62	Switch	1
PS6-63	Press Plate (for cable sleeve)	1
PS6-64	Main Tube (Front)	1
PS6-65	Clinch Bolt $\varnothing 5$	2
PS6-66	Hinge Sleeve (Front)	1
PS6-67	Sealed Ring $\varnothing 1.2$	1
PS6-68	Pin $\varnothing 5 \times 45$	1
PS6-69	Hinge Sleeve (Back)	1
PS6-70	Pin $\varnothing 5 \times 16.8$	1
PS6-71	Pin $\varnothing 5 \times 30$	1
PS6-72	Press Plate Cable (Back)	1
PS6-73	Lock Wrench	1
PS6-74	Brace	1
PS6-75	Sleeve #2	2
PS6-76	Spring	1
PS6-77	Press Plate Cable (Front)	1
PS6-78	Main Tube (Back)	1
PS6-81	Main Handle (Right)	1
PS6-82	Extension Tube Insert	1
PS6-83	Screw Nut (Back)	2
PS6-84	Left Sub-Handle	1
PS6-85	Black Extension Tube (single access)	1
PS6-86	Right Sub-Handle	1

No	Parts Name	Qty
PS6-87	Adjustable Ring	1
PS6-88	Protection Connection Adapter	1
PS6-89	Screw ST3.9*16	23
PS6-98	Sander Hose	
PS6-99	Sander / Vacuum Hose Connector	1

# Symbols

- On the product, the rating label and within these instructions you will find among others the following symbols and abbreviations. Familiarise yourself with them to reduce hazards like personal injuries and damage to property.

V~	Volt, (alternating voltage)	mm	Millimeter
A	Amperes	n0	no load speed
Hz	Hertz	kg	Kilogram
W	Watt	dB(A)	Decibel (A-rated)
/min or min <sup>-1</sup>	Per minute	m/s <sup>2</sup>	Meters per seconds squared
l	Liter	Nm	Newton meter
	Lock / to tighten or secure		Unlock / to loosen
	Note / Remark		Caution /Warning
	Read the instruction manual		Wear hearing protection
	Wear eye protection		Wear a dust mask
	Wear protective gloves		Wear protective, slip resistant footwear
	Switch the product off and disconnect it from the power supply before assembly, cleaning, adjustments, maintenance, storage and transportation.		
	This product is of protection class II. That means it is equipped with enhanced or double insulation.		
	Australian regulatory compliance mark		
	WEEE symbol. Waste electrical products should not be disposed of with household waste. Please recycle where facilities exist. Check with your Local Authority or local store for recycling advice.		

## Warranty

Wallboard Tool Co Pty Ltd warrants that this product will be free from any defect in materials or workmanship for twelve (12) months from your purchase date (noted on your invoice or receipt). At its discretion, Wallboard Tool Co Pty Ltd will either repair or replace your product, if it is found on inspection by Wallboard Tool Co Pty Ltd or a registered and approved Wallpro Service Agent to have any such defect.

### WARRANTY CLAIM PROCEDURE.

To make a claim under this Warranty, you must:

- First contact the Wallboard Tool Co Pty Ltd distributor where you purchased the product.
- Return the product to the distributor accompanied by the proof of purchase (invoice or receipt).

You will be responsible for the delivery to and collection of the product from the distributor.

### WARRANTY APPLICATION.

This Warranty applies only:

- To a product sold to you by Wallboard Tool Co Pty Ltd or by a Wallboard Tool Co Pty Ltd distributor.
- If you use the product for your private or business purposes.

### WARRANTY EXCLUSIONS.

This Warranty will not apply if any of the following occurs during the relevant warranty period:

- The product is serviced or repaired by anyone other than by a registered and approved Wallpro service agent.
- You use a Product contrary to the technical or operating environment guidelines recommended in its user guide or manual.
- Any wear parts included in your product, (for example: including but without limitation: Velcro Foam Adaptors, Bearings, Bit Tips, Carbon Brushes, etc), reaches the end of its service life;
- A product's malfunction or failure to perform to Wallboard Tool Co Pty Ltd specifications results from:
  1. deliberate or accidental damage; or
  2. neglect or modification; or
  3. incorrect voltage or a power surge; or
  4. use of non-genuine replacement parts or accessories.

### NON-GENUINE ITEMS.

If you use non-genuine replacement parts in the product, you may damage the product and may invalidate this warranty. Our goods come with guarantees that cannot be excluded under the Australian Consumer Law. You are entitled to a replacement or refund for a major failure and for compensation for any other reasonably foreseeable loss or damage. You are also entitled to have the goods repaired or replaced if the goods fail to be of acceptable quality and the failure does not amount to a major failure.

### DETAILS OF THE COMPANY GIVING THIS WARRANTY:

Wallboard Tool Co Pty Ltd  
30 Leda Drive, West Burleigh, Qld 4220, Australia  
Phone: +61 7 5535 7655  
Email: info@wbtc.com.au

The Wallboard Tools and Wallpro names as well as the Wallboard Tools and Wallpro Trade Tools logos are registered Trade Marks of Wallboard Tool Co Pty Ltd



**Wallpro**<sup>TM</sup>  
TRADE TOOLS



**CUSTOMER SERVICE**  
**1300 653 177**